

Article datasheet

## Straight-Thru Strain Relief Bushing cable clamping 4.8-6.8mm grey

Article-No.: 014.05.468

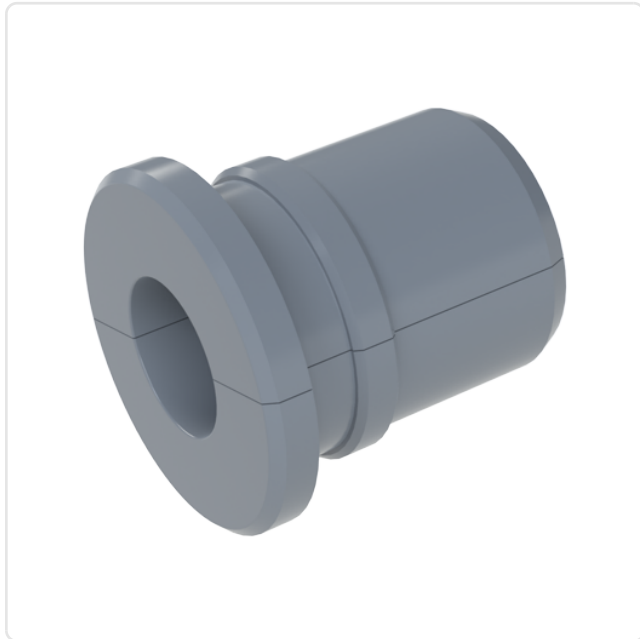


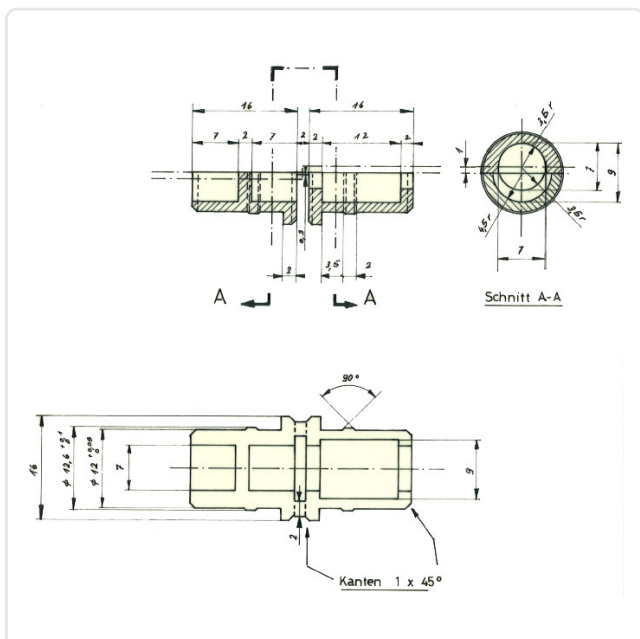
Image may be similar

Color: Gray  
 Material: PA 6.6  
 Material Group: Plastic  
 Panel Thickness Range [mm]: 4,8-6,8  
 Panel Thickness [mm]: 0  
 Weight: 1.46g  
 Conformities:



You can find all information on the web on our article detail page

[Straight-Thru Strain Relief Bushing cable clamping 4.8-6.8mm grey](#)



Would you like individual advice?

We look forward to your email to [products@ettinger.de](mailto:products@ettinger.de).

Subject to change and errors.