

Article datasheet

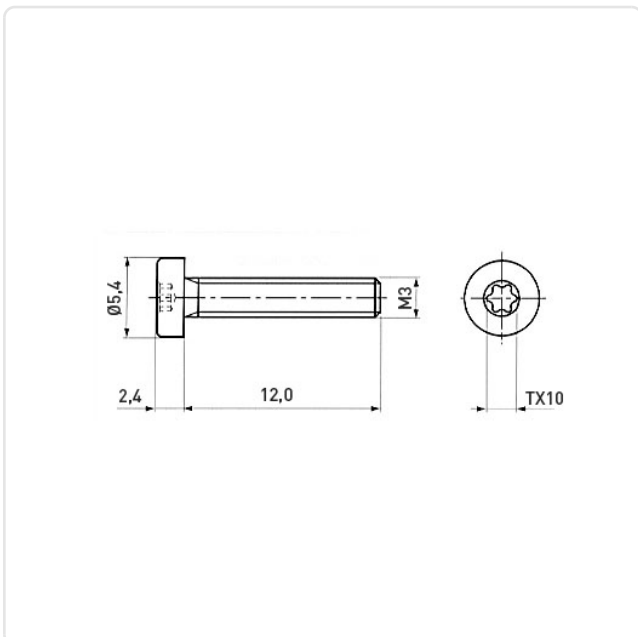
Socket Head Screw ISO14580 M3x12 Stainless Steel A2 Hexalobular

Article-No.: 001.63.352



Image may be similar

| | |
|---------------------|-------------------------------|
| Actuator Size: | Torx T10 |
| DIN/ISO: | ISO14580 |
| Drive Type: | TORX |
| Finish: | Plain |
| Head Diameter [mm]: | 5.5 |
| Head Height [mm]: | 2.4 |
| Head Shape: | Flat Cheese Head |
| Length [mm]: | 12 |
| Material: | Stainless Steel AISI 304 / A2 |
| Material Group: | Stahl rostfrei |
| Thread Size: | M3 |
| Weight: | 0.86g |
| Conformities: | |



You can find all information on the web on our article detail page

[Socket Head Screw ISO14580 M3x12
Stainless Steel A2 Hexalobular](#)

Would you like individual advice?

We look forward to your email to products@ettinger.de.

Subject to change and errors.