

Article datasheet

## UNC Bolt UNC4-40 x 9.5 Galvanized Steel 4.8 Cross Recessed CSK

Article-No.: 001.62.441

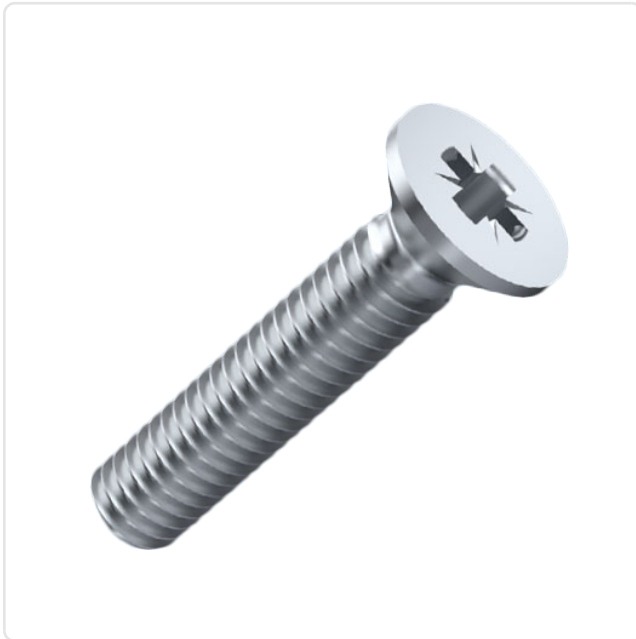


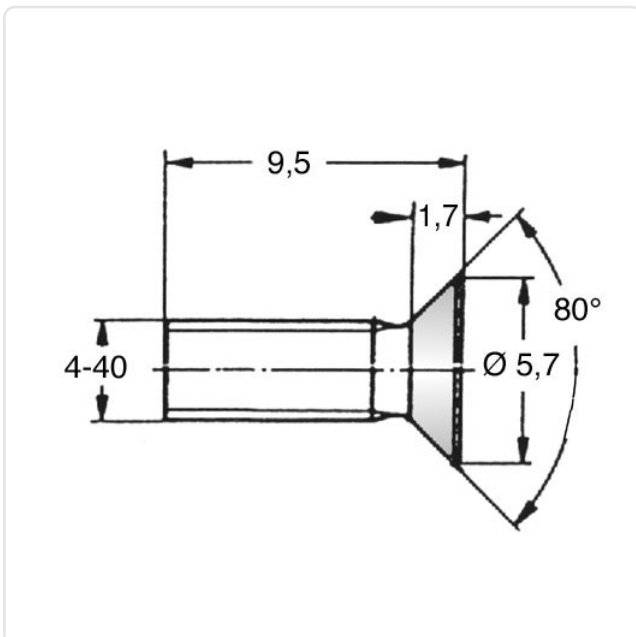
Image may be similar

Actuator Size:	Pozidriv PZ1
Drive Type:	Cross Recess / Pozidriv-Z
Finish:	Galvanized, Blue, 5 µm, A2K
Head Diameter [mm]:	5.4
Head Height [mm]:	1.7
Head Shape:	Countersunk Head
Length [mm]:	9.5
Material:	Steel 4.8
Material Group:	NULL
Thread Size:	UNC4-40
Weight:	0.4g
Conformities:	



You can find all information on the web on our article detail page

[UNC Bolt UNC4-40 x 9.5 Galvanized Steel 4.8 Cross Recessed CSK](#)



Would you like individual advice?

We look forward to your email to [products@ettinger.de](mailto:products@ettinger.de).

Subject to change and errors.