

Article datasheet

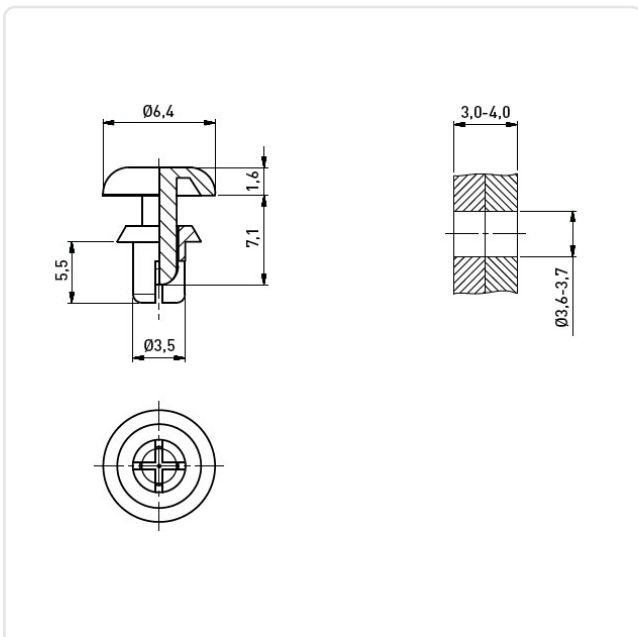
Drive Rivet Ø3.5 | 3.0-4.0 Polyamide 6.6 black

Article-No.: 072.21.740



Image may be similar

Color:	Black
Flammability Class:	UL94-V2
Head Diameter [mm]:	6.4
Head Height [mm]:	1.6
Length [mm]:	5.5
Material:	PA 6.6
Material Group:	Plastic
Model:	removable
Mounting Hole Range [mm]:	Ø 3.6-3.7
Panel Thickness [mm]:	3,0-4,0
Rivet Diameter [mm]:	3.5
Weight:	0.11g
Conformities:	



You can find all information on the web on our article detail page

Would you like individual advice?

We look forward to your email to products@ettinger.de.

Subject to change and errors.