

Article datasheet

## Pan Head Screw ISO1580 M3x10 Stainless Steel A4 Slotted

Article-No.: 001.15.349

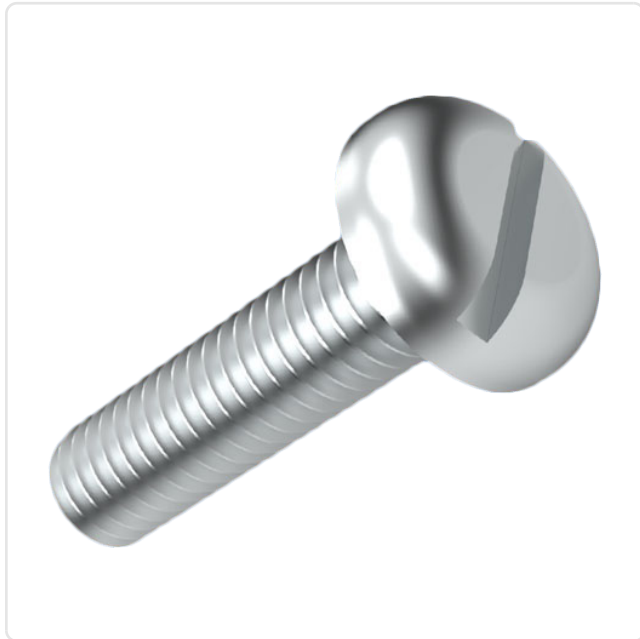


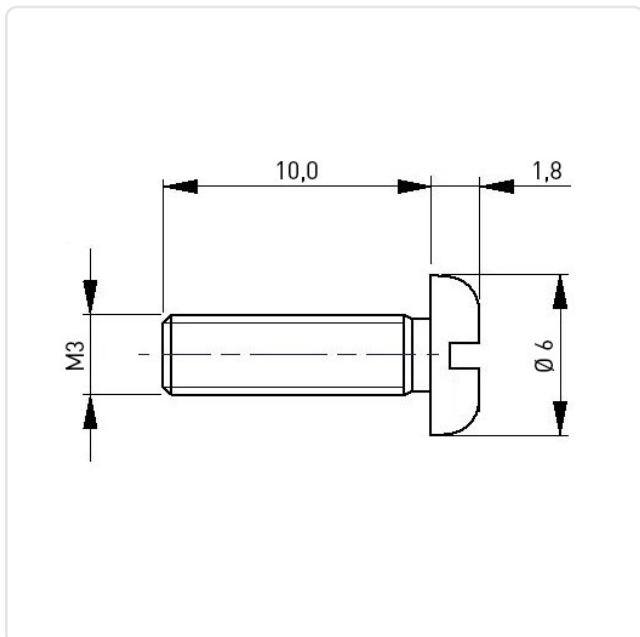
Image may be similar

DIN/ISO:	ISO1580
Drive Type:	Slotted
Finish:	Plain
Head Diameter [mm]:	6
Head Height [mm]:	1.8
Head Shape:	Pan Head
Length [mm]:	10
Material:	Stainless Steel AISI 316 / A4
Material Group:	Stahl rostfrei
Thread Size:	M3
Weight:	0.62g
Conformities:	



You can find all information on the web on our article detail page

[Pan Head Screw ISO1580 M3x10 Stainless Steel A4 Slotted](#)



Would you like individual advice?

We look forward to your email to [products@ettinger.de](mailto:products@ettinger.de).

Subject to change and errors.