

Article datasheet

**Dowel Pin ISO8734 Ø1.5x28 Plain Steel**

Article-No.: 080.01.0128



Image may be similar

DIN/ISO: ISO8734

Diameter [mm]: 1.5

Finish: Plain

Length [mm]: 28

Material: Steel

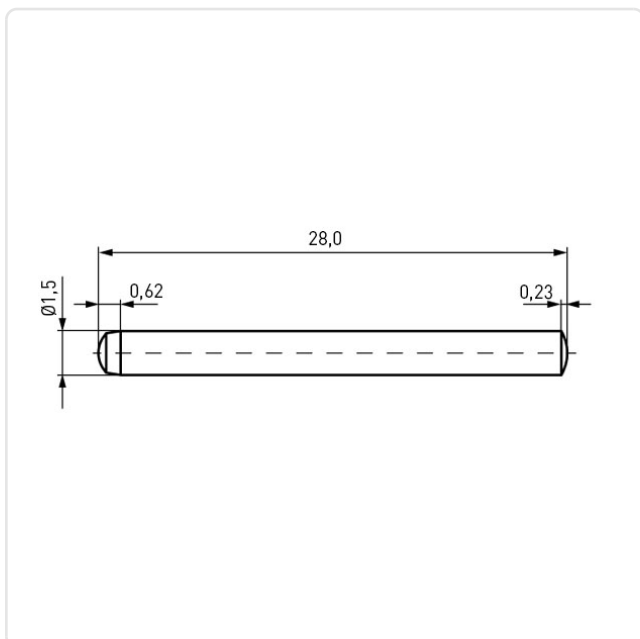
Material Group: Stahl

Weight: 0.4g

Conformities:



You can find all information on the web on our article detail page

[Dowel Pin ISO8734 Ø1.5x28 Plain Steel](#)

Would you like individual advice?

We look forward to your email to [products@ettinger.de](mailto:products@ettinger.de).

Subject to change and errors.