

Article datasheet

Self-Tapping Screw for Plastic 3x6 PT Galvanized Q&T Steel Torx Pan Head

Article-No.: 001.97.326

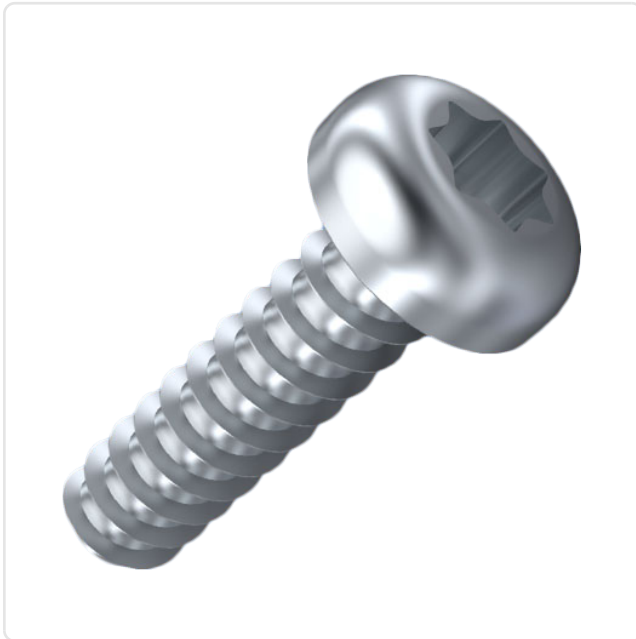
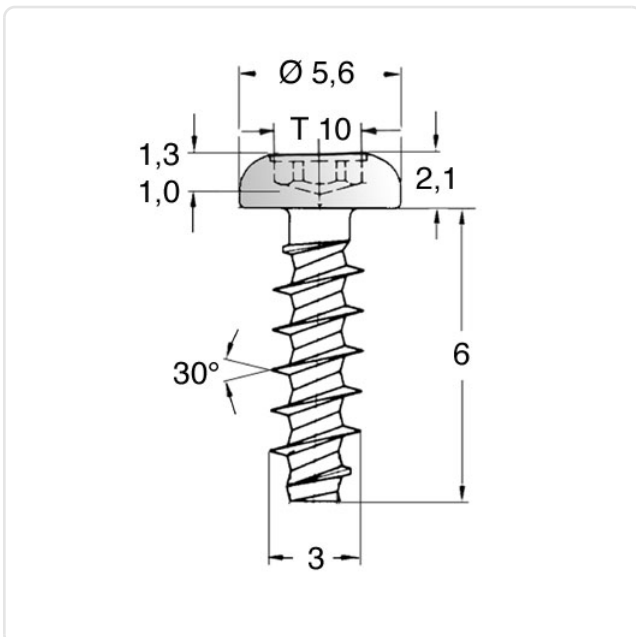


Image may be similar

Actuator Size:	Torx T10
Drive Type:	TORX
Finish:	Galvanized, Blue, 5 µm, A2K
Head Diameter [mm]:	5.6
Head Height [mm]:	2.1
Head Shape:	Pan Head
Length [mm]:	6
Material:	Q&T Steel
Material Group:	Stahl
Thread Diameter [mm]:	Ø 3.0
Thread Type:	PT Thread
Weight:	0.43g
Conformities:	



You can find all information on the web on our article detail page

[Self-Tapping Screw for Plastic 3x6 PT Galvanized Q&T Steel Torx Pan Head](#)

Would you like individual advice?

We look forward to your email to products@ettinger.de.

Subject to change and errors.