

Article datasheet

Hexagon Serrated Flange Nut M6 DIN6923/ISO4161 A2 Plain Stainless Steel

Article-No.: 002.09.326

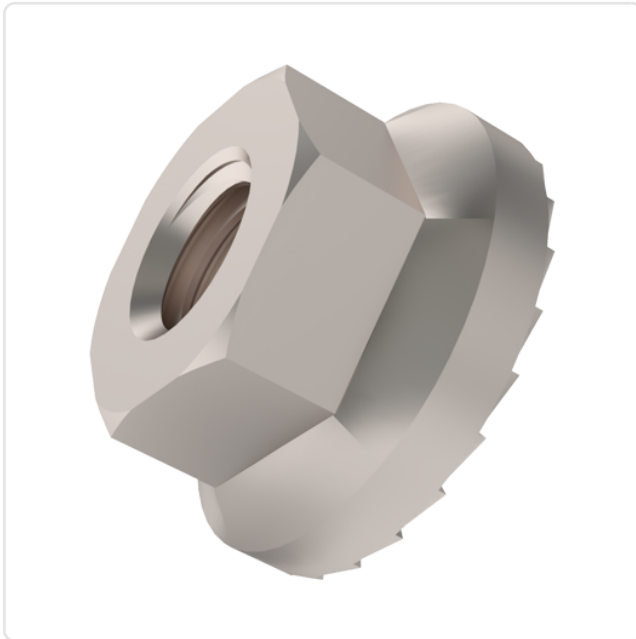


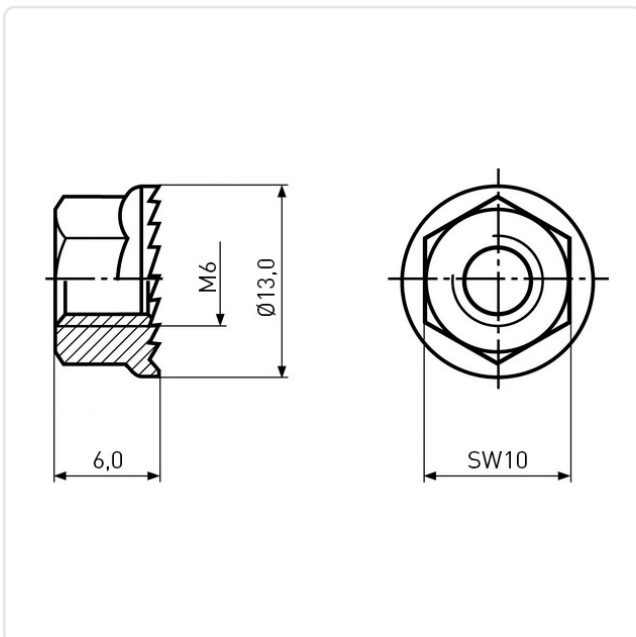
Image may be similar

AF / OD [mm]: 10
 DIN/ISO: DIN6923 / ISO4161
 Finish: Plain
 Height [mm]: 5.5
 Material: Stainless Steel AISI 304 / A2
 Material Group: Stahl rostfrei
 Thread Size: M6
 Weight: 3.1g
 Conformities:



You can find all information on the web on our article detail page

[Hexagon Serrated Flange Nut M6
DIN6923/ISO4161 A2 Plain Stainless Steel](#)



Would you like individual advice?

We look forward to your email to products@ettinger.de.

Subject to change and errors.