

Article datasheet

## Pin Header 2x 40-pole Phosphorbronze gold-plated

Article-No.: 022.17.404

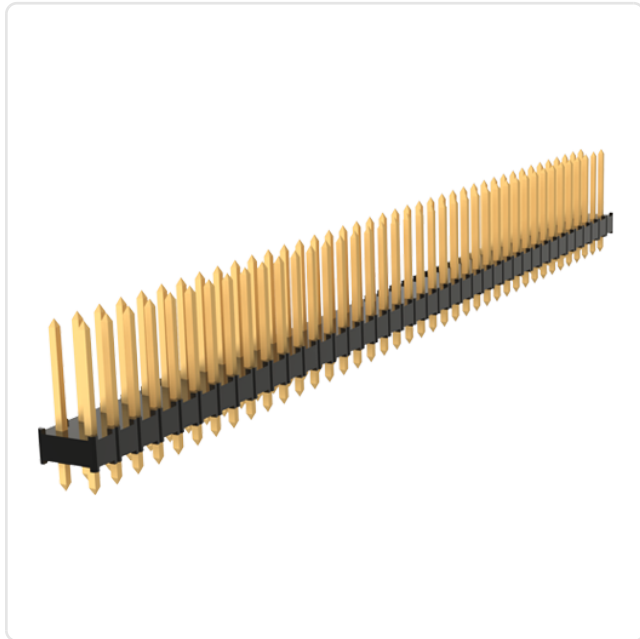


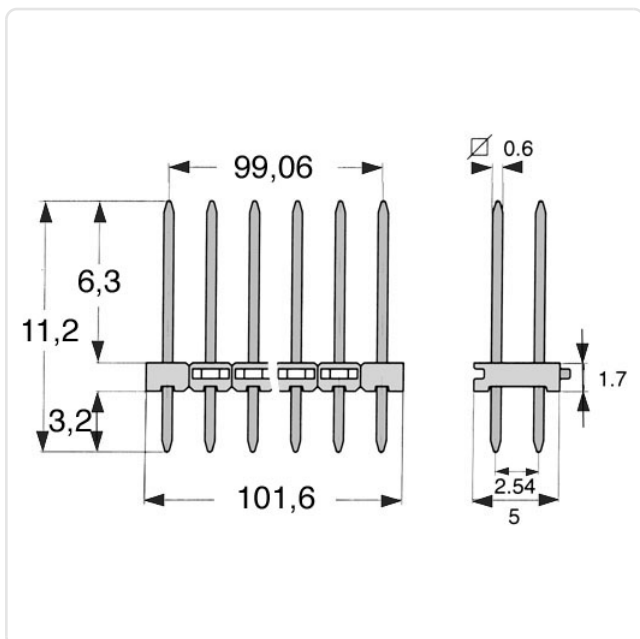
Image may be similar

Finish: Gold-Plated  
 Grid [mm]: 2.54  
 Material: Brass  
 Material Group: Brass  
 Plug-In Length [mm]: 6.3  
 Weight: 4.37g  
 Conformities:



You can find all information on the web on our article detail page

[Pin Header 2x 40-pole Phosphorbronze gold-plated](#)



Would you like individual advice?

We look forward to your email to [products@ettinger.de](mailto:products@ettinger.de).

Subject to change and errors.