

Article datasheet

Thread-Locking Screw ISO14583 M2x4 Galvanized Steel 4.8 Torx Blue PA Patch

Article-No.: 083.55.106

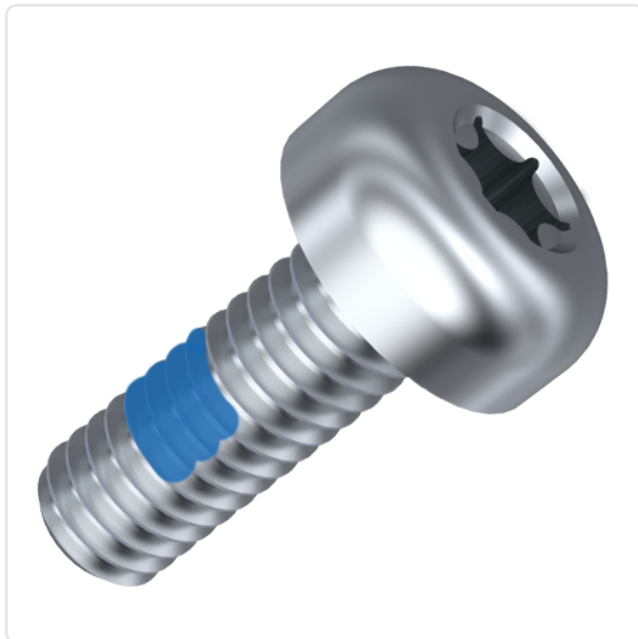
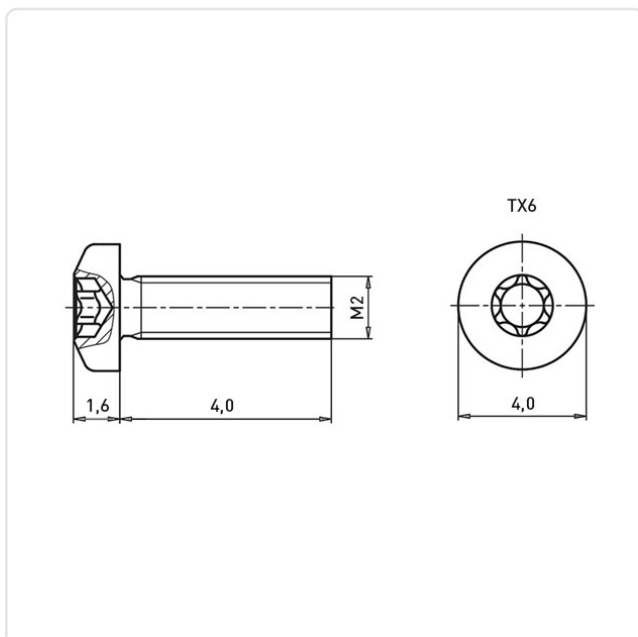


Image may be similar

| | |
|---------------------|-----------------------------|
| Actuator Size: | Torx T6 |
| DIN/ISO: | ISO14583 |
| Drive Type: | TORX |
| Finish: | Galvanized, Blue, 5 µm, A2K |
| Head Diameter [mm]: | 4 |
| Head Height [mm]: | 1.6 |
| Head Shape: | Pan Head |
| Length [mm]: | 4 |
| Material: | Steel 4.8 |
| Material Group: | Stahl |
| Thread Locking: | Blue Nylon Patch |
| Thread Size: | M2 |
| Weight: | 0.16g |
| Conformities: | |



You can find all information on the web on our article detail page

[Thread-Locking Screw ISO14583 M2x4 Galvanized Steel 4.8 Torx Blue PA Patch](#)

Would you like individual advice?

We look forward to your email to products@ettinger.de.

Subject to change and errors.