

Article datasheet

## Hexagon Nut DIN934/ISO4032 M2 Galvanized Steel 8

Article-No.: 002.10.011

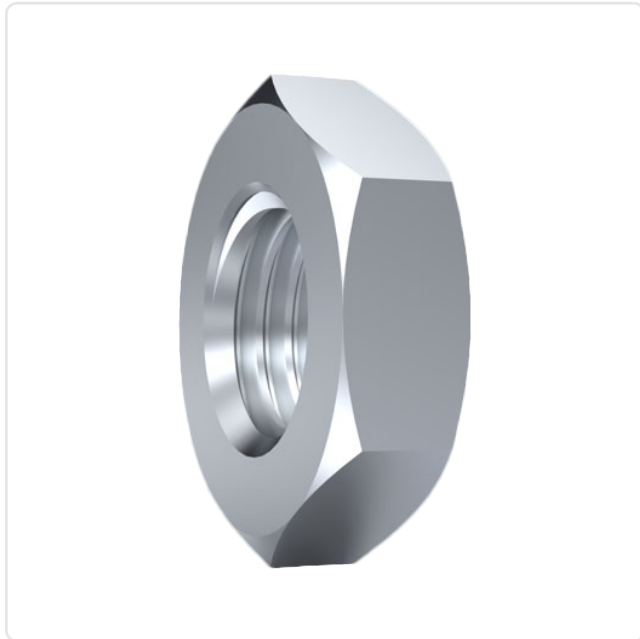
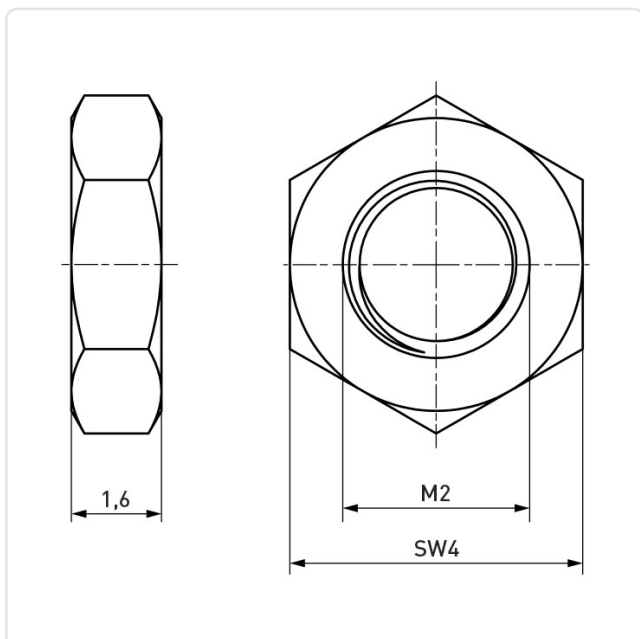


Image may be similar

AF / OD [mm]: 4  
 DIN/ISO: ISO4032  
 Finish: Galvanized, Blue, 5 µm, A2K  
 Height [mm]: 1.6  
 Material: Steel - Grade 8, lead-free  
 Thread Size: M2  
 Weight: 0.12g  
 Conformities:



You can find all information on the web on our article detail page  
[Hexagon Nut DIN934/ISO4032 M2 Galvanized Steel 8](#)



Would you like individual advice?

We look forward to your email to [products@ettinger.de](mailto:products@ettinger.de).

Subject to change and errors.