

Article datasheet

Blind Rivet Ø4.0x7.0 Aluminum Shell / Steel Mandrel

Article-No.: 001.08.418



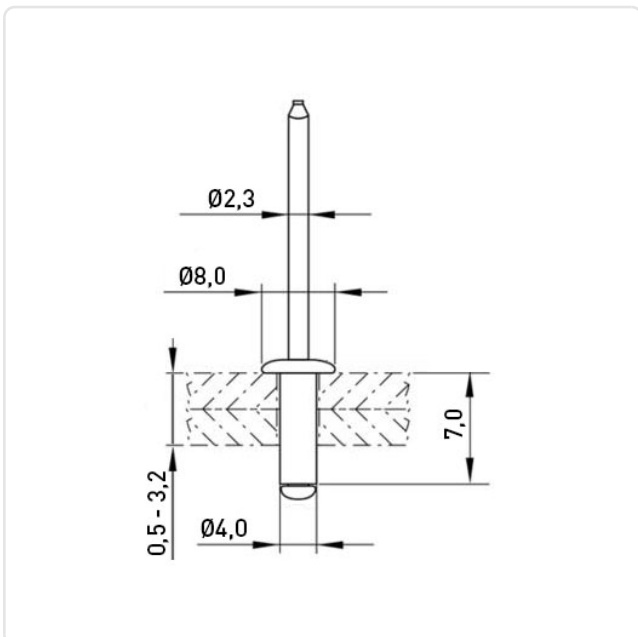
Image may be similar

| | |
|------------------------|--|
| Finish: | Plain |
| Head Diameter [mm]: | 8 |
| Length [mm]: | 7 |
| Mandrel Diameter [mm]: | 2.3 |
| Material: | Aluminum Shell / Steel Mandrel |
| Material Group: | Aluminum Shell / Steel Mandrel |
| Mounting Hole [mm]: | 4.1 |
| Panel Thickness [mm]: | 0,5-3,2 |
| Rivet Diameter [mm]: | 4 |
| Weight: | 1.59g |
| Conformities: | <div style="display: flex; gap: 10px;"> <div style="border: 1px solid green; padding: 2px; font-size: 8px;">SVHC COMPLIANT</div> <div style="border: 1px solid green; padding: 2px; font-size: 8px;">Reach COMPLIANT</div> <div style="border: 1px solid green; padding: 2px; font-size: 8px;">RoHS COMPLIANT</div> </div> |



You can find all information on the web on our article detail page

[Blind Rivet Ø4.0x7.0 Aluminum Shell / Steel Mandrel](#)



Would you like individual advice?

We look forward to your email to products@ettinger.de.

Subject to change and errors.