

Article datasheet

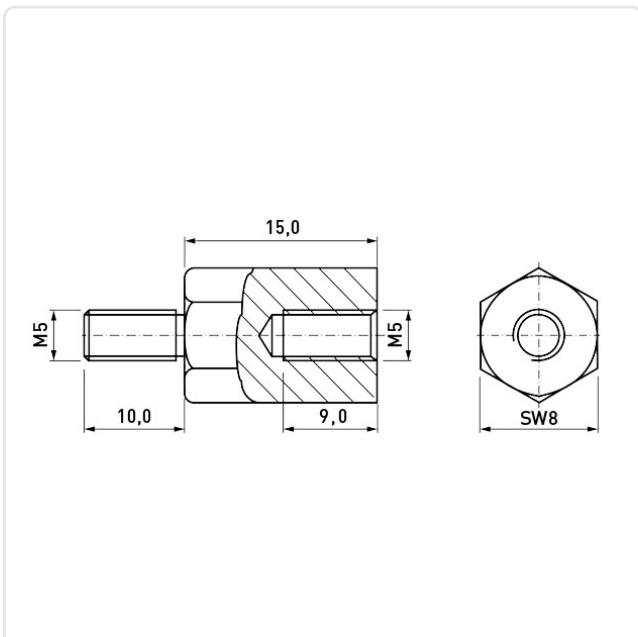
Standoff Nickel-Plated Brass M/F AF8x15 F=M5x9 M=M5x10 w/ Undercut

Article-No.: 005.15.153



Image may be similar

AF / OD [mm]:	8
Female Thread Length [mm]:	9
Female Thread Size:	M5
Finish:	Nickel-Plated, 3 µm, E1E
Length [mm]:	15
Male Thread Length [mm]:	10
Male Thread Size:	M5
Material:	Brass CW614N / CuZn39Pb3
Material Group:	Brass
Profile:	Hexagonal
Undercut:	Yes
Weight:	6.27g
Conformities:	



You can find all information on the web on our article detail page

[Standoff Nickel-Plated Brass M/F AF8x15 F=M5x9 M=M5x10 w/ Undercut](#)

Would you like individual advice?

We look forward to your email to products@ettinger.de.

Subject to change and errors.