

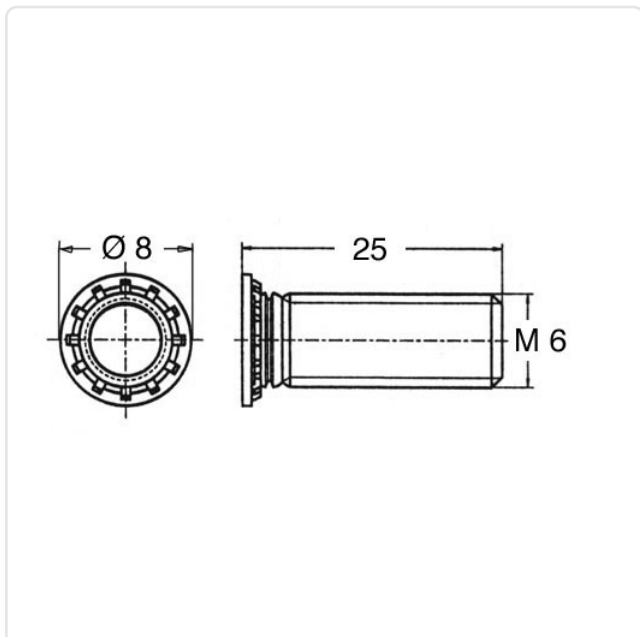
Article datasheet

**Self-Clinching Stud M6x25.0 Galvanized Steel**

Article-No.: 004.82.625



Image may be similar



Area of Application:	For Metallic Materials
Finish:	Galvanized, Blue, 5 $\mu\text{m}$ , A2K
Head Diameter [mm]:	8
Length [mm]:	25
Material:	Steel 8.8
Material Group:	Steel
Minimum Edge Distance [mm]:	5.0
Panel Hole $\varnothing$ [mm]:	6
Panel Thickness [mm]:	1,5
Thread Size:	M6
Weight:	4.49g
Conformities:	



You can find all information on the web on our article detail page

[Self-Clinching Stud M6x25.0 Galvanized Steel](#)

Would you like individual advice?

We look forward to your email to [products@ettinger.de](mailto:products@ettinger.de).

Subject to change and errors.