

Article datasheet

Anti-Kink Pipe $\varnothing 5.5\text{mm}$ length 37mm PVC black

Article-No.: 014.02.050

Manufacturer: SES-Sterling

Manufacturer article-no.: 0134 0009 010

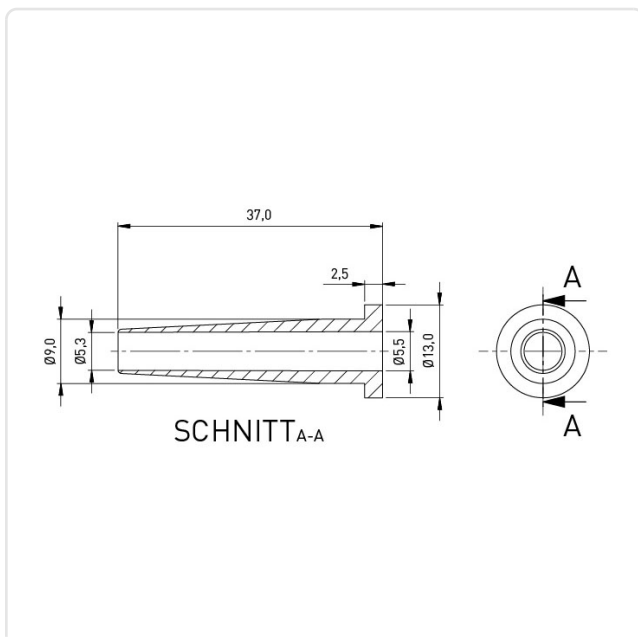


Image may be similar

Color: Black
 Inner Diameter [mm]: 5.5
 Material: PVC - Polyvinyl Chloride
 Material Group: Plastic
 Mounting Hole [mm]: 9
 Panel Thickness [mm]: 0
 Weight: 1.74g
 Conformities:



You can find all information on the web on our article detail page [Anti-Kink Pipe \$\varnothing 5.5\text{mm}\$ length 37mm PVC black](#)



Would you like individual advice?

We look forward to your email to products@ettinger.de.

Subject to change and errors.