

Article datasheet

Flanged Bearing $\varnothing 6/9/12 \times 6$ -2mm Polyamid 6.6 natural UL94-V2

Article-No.: 005.99.067

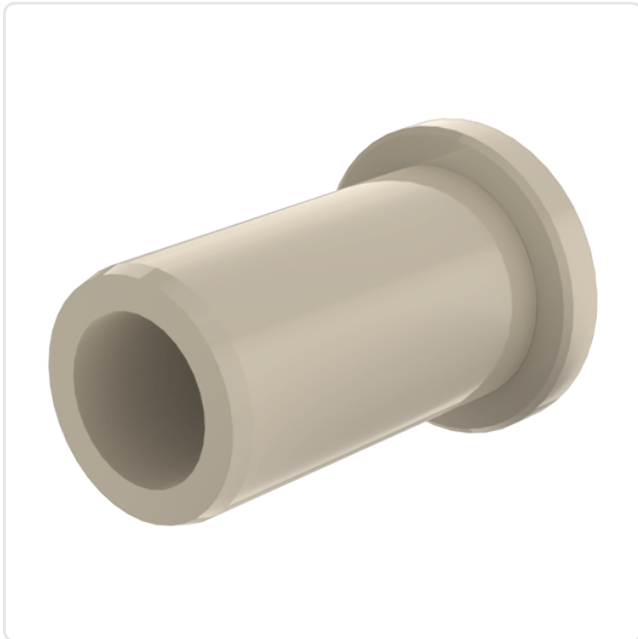


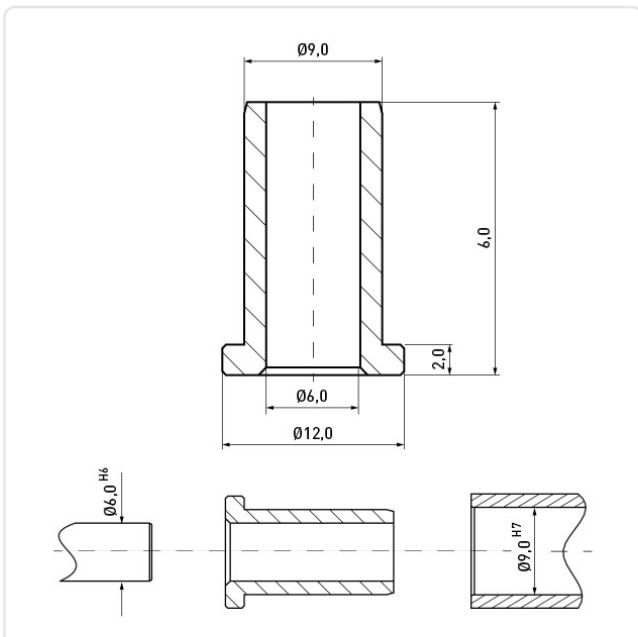
Image may be similar

Color:	Natural
Flammability Class:	UL94-V2
Inner Diameter [mm]:	6
Length [mm]:	6
Lug Diameter [mm]:	9
Material:	PA 6.6
Material Group:	Plastic
Model:	With High Lug
Outer Diameter [mm]:	12
Weight:	0.34g
Conformities:	



You can find all information on the web on our article detail page

[Flanged Bearing \$\varnothing 6/9/12 \times 6\$ -2mm Polyamid 6.6 natural UL94-V2](#)



Would you like individual advice?

We look forward to your email to products@ettinger.de.

Subject to change and errors.