

Article datasheet

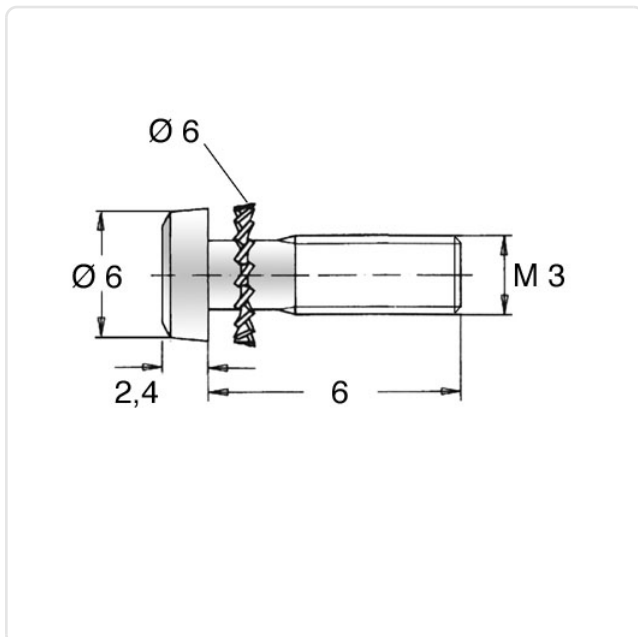
SEMS Screw ISO14583 TX Z7 M3x6 Galv. Steel 8.8 Serrated Lock Washer

Article-No.: 081.55.323



Image may be similar

Actuator Size:	Torx T10
Combination:	Serrated Lock Washer DIN6907
DIN/ISO:	ISO14583
Drive Type:	TORX
Finish:	Galvanized, Blue, 5 µm, A2K
Head Diameter [mm]:	5.6
Head Height [mm]:	2.4
Head Shape:	Pan Head
Length [mm]:	6
Material:	Steel 8.8, lead-free
Material Group:	Steel
Thread Size:	M3
Weight:	0.68g
Conformities:	



You can find all information on the web on our article detail page

[SEMS Screw ISO14583 TX Z7 M3x6 Galv. Steel 8.8 Serrated Lock Washer](#)

Would you like individual advice?

We look forward to your email to products@ettinger.de.

Subject to change and errors.