

Article datasheet

Lock Washer Ø10.5/16.0 x 1.0 Nickel-Plated Spring St

Article-No.: 003.04.103

Manufacturer: SCHNORR

Manufacturer article-no.: 424000

SCHNORR
DISC SPRING ENGINEERING



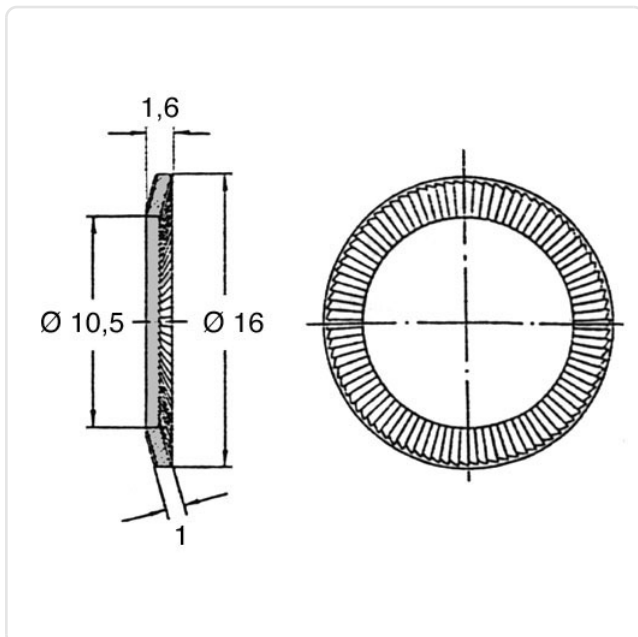
Image may be similar

Finish: Nickel-Plated, 3 µm, E1E
 For Thread Size: M10
 Height [mm]: 1
 Inner Diameter [mm]: 10.5
 Material: Spring Steel
 Material Group: Steel
 Outer Diameter [mm]: 16
 Weight: 0.72g
 Conformities:



You can find all information on the web on our article detail page

[Lock Washer Ø10.5/16.0 x 1.0 Nickel-Plated Spring St](#)



Would you like individual advice?

We look forward to your email to products@ettinger.de.

Subject to change and errors.