

Article datasheet

## Knurled Knobs, High Type / for Hex Screws and Nuts

Article-No.: 002.38.040

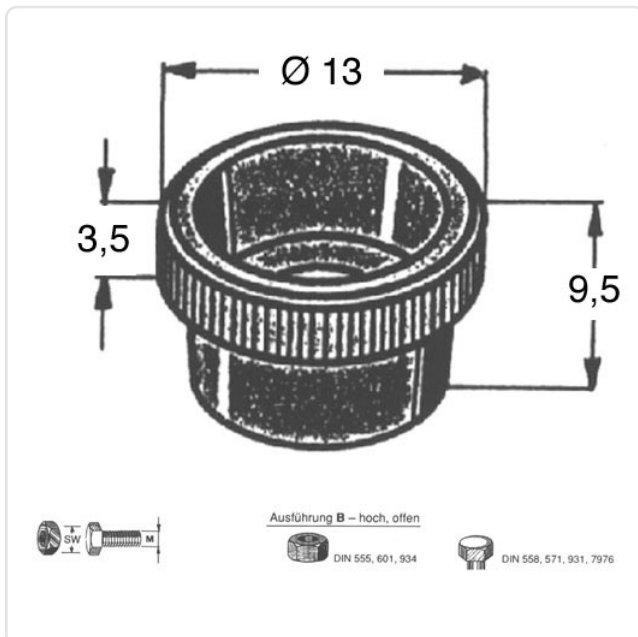


Image may be similar

AF / OD [mm]:	7
Color:	Black
Diameter [mm]:	13
Flammability Class:	UL94-HB
Height [mm]:	9.5
Material:	POM - Polyoxymethylene
Material Group:	Plastic
Thread Size:	M4
Weight:	0.68g
Conformities:	<div style="display: flex; gap: 10px;"> <div style="border: 1px solid green; padding: 2px; text-align: center; color: green;">SVHC COMPLIANT ✓</div> <div style="border: 1px solid green; padding: 2px; text-align: center; color: green;">Reach COMPLIANT ✓</div> <div style="border: 1px solid green; padding: 2px; text-align: center; color: green;">RoHS COMPLIANT ✓</div> </div>



You can find all information on the web on our article detail page  
[Knurled Knobs, High Type / for Hex Screws and Nuts](#)



Would you like individual advice?

We look forward to your email to [products@ettinger.de](mailto:products@ettinger.de).

Subject to change and errors.