

Article datasheet

Snap Lock Pin SLP-2 \varnothing 2.4X8.4mm Polyamid 6.6,natural UL94-V2 E70062

Article-No.: 072.12.083



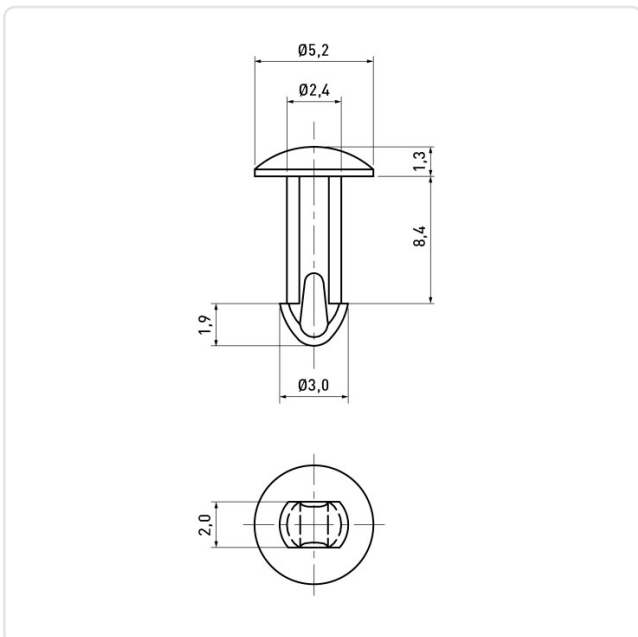
Image may be similar

Color: Natural
Flammability Class: UL94-V2
Head Diameter [mm]: 5.2
Material: PA 6.6
Material Group: Plastic
Mounting Hole [mm]: 2.4
Weight: 0.07g
Conformities:



You can find all information on the web on our article detail page

[Snap Lock Pin SLP-2 \$\varnothing\$ 2.4X8.4mm Polyamid 6.6,natural UL94-V2 E70062](#)



Would you like individual advice?

We look forward to your email to products@ettinger.de.

Subject to change and errors.