

Article datasheet

## Coincell Holder for $\varnothing$ 20mm cells Polyphthalamid UL94-V0

Article-No.: 015.61.607

Manufacturer: Keystone Electronics

Manufacturer article-no.: 1059

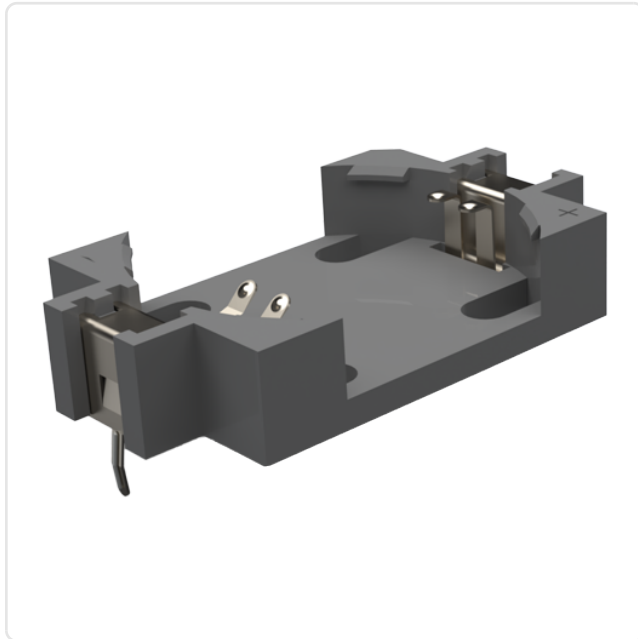


Image may be similar

Battery Type: Cell Dia. 20mm  
 Cell diameter [mm]:  $\varnothing$  20.0  
 Flammability Class: UL94-V0  
 Height [mm]: 5.5  
 Material: LCP - Liquid Crystal Polymer  
 Material Group: Plastic  
 Model: PCB Mounting Connection  
 No. Cells: 1  
 Weight: 1.34g  
 Conformities:



You can find all information on the web on our article detail page

[Coincell Holder for  \$\varnothing\$ 20mm cells Polyphthalamid UL94-V0](#)

Would you like individual advice?

We look forward to your email to [products@ettinger.de](mailto:products@ettinger.de).

Subject to change and errors.

