

Article datasheet

UNC Bolt UNC6-32 x 9.5 Galvanized Steel 4.8 Cross Recessed CSK

Article-No.: 001.62.641

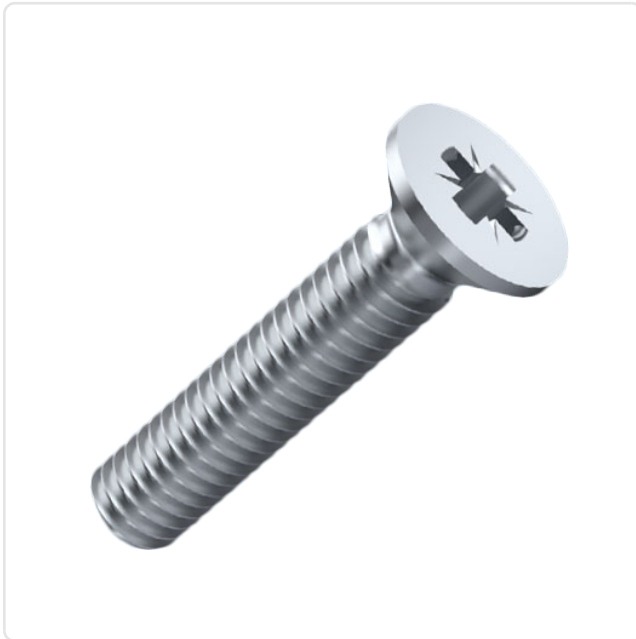


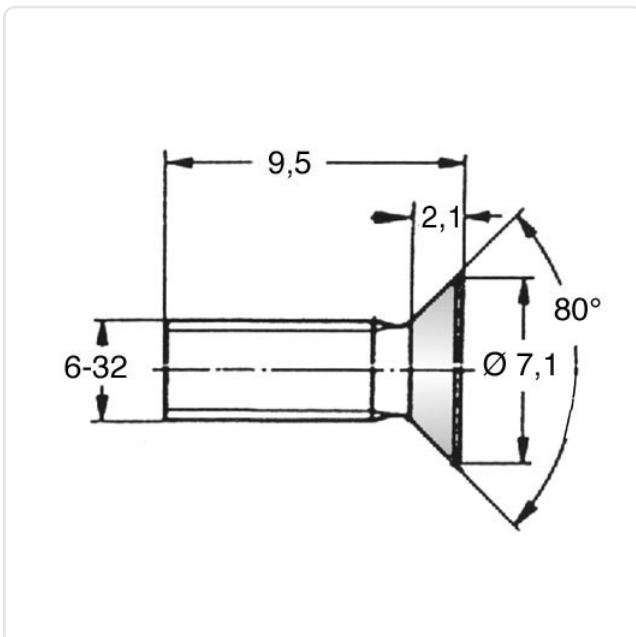
Image may be similar

Actuator Size:	Pozidriv PZ2
Drive Type:	Cross Recess / Pozidriv-Z
Finish:	Galvanized, Blue, 5 µm, A2K
Head Diameter [mm]:	6.7
Head Height [mm]:	2.1
Head Shape:	Countersunk Head
Length [mm]:	9.5
Material:	Steel 4.8
Material Group:	Stahl
Thread Size:	UNC6-32
Weight:	0.62g
Conformities:	



You can find all information on the web on our article detail page

[UNC Bolt UNC6-32 x 9.5 Galvanized Steel 4.8 Cross Recessed CSK](#)



Would you like individual advice?

We look forward to your email to products@ettinger.de.

Subject to change and errors.