

Article datasheet

Rivet Bush M3x5.0 | 2.5 Nickel-Plated Brass

Article-No.: 002.73.543

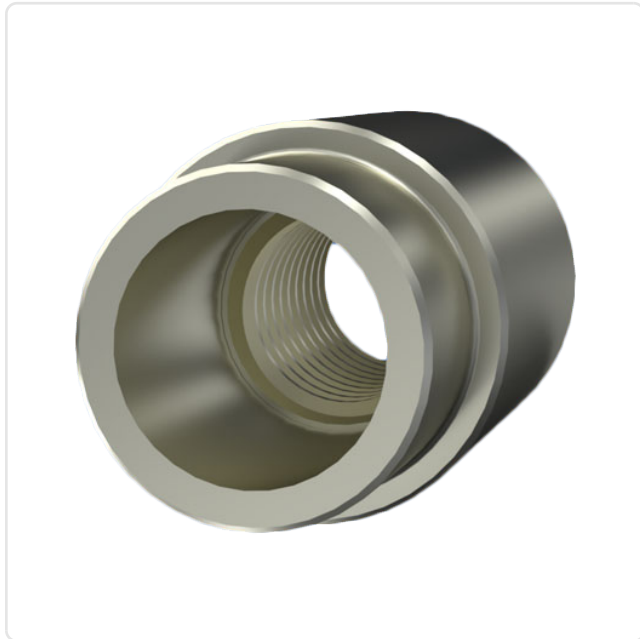


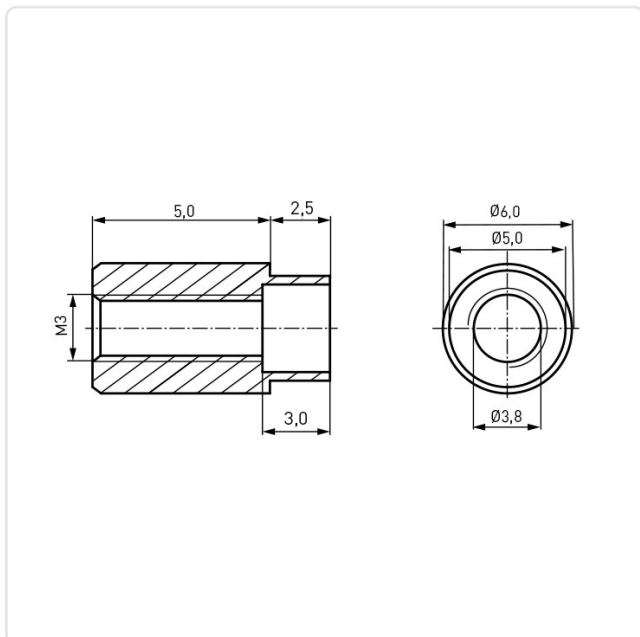
Image may be similar

Finish: Nickel-Plated, 3 µm, E1E
 Height [mm]: 5
 Material: Brass CW614N / CuZn39Pb3
 Material Group: Brass
 Outer Diameter [mm]: 6
 Panel Hole Ø [mm]: 5.1
 Thread Size: M3
 Weight: 1.1g
 Conformities:



You can find all information on the web on our article detail page

[Rivet Bush M3x5.0 | 2.5 Nickel-Plated Brass](#)



Would you like individual advice?

We look forward to your email to products@ettinger.de.

Subject to change and errors.