

Article datasheet

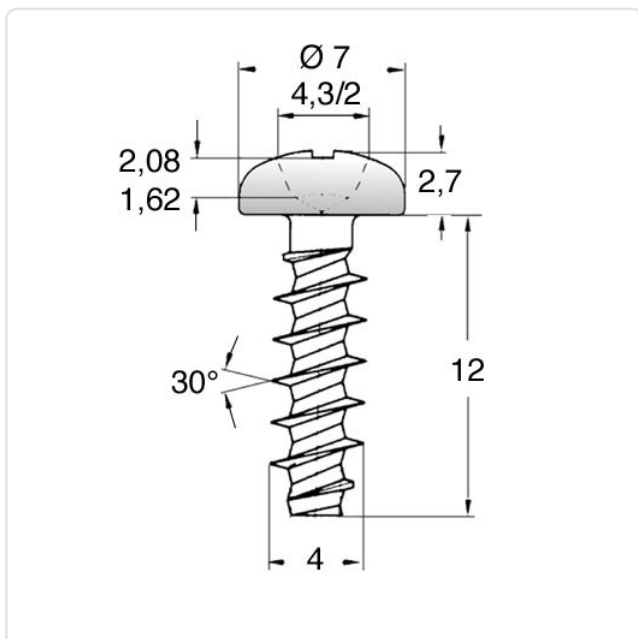
Self-Tapping Screw for Plastic 4x12 PT A2 Plain ST STL Pozi Pan Head

Article-No.: 001.97.459



Image may be similar

| | |
|-----------------------|-------------------------------|
| Actuator Size: | Pozidriv PZ2 |
| Drive Type: | Cross Recess / Pozidriv-Z |
| Finish: | Plain |
| Head Diameter [mm]: | 7 |
| Head Height [mm]: | 2.7 |
| Head Shape: | Pan Head |
| Length [mm]: | 12 |
| Material: | Stainless Steel AISI 304 / A2 |
| Material Group: | NULL |
| Thread Diameter [mm]: | Ø 4.0 |
| Thread Type: | PT Thread |
| Weight: | 1.1g |
| Conformities: | |



You can find all information on the web on our article detail page

[Self-Tapping Screw for Plastic 4x12 PT A2 Plain ST STL Pozi Pan Head](#)

Would you like individual advice?

We look forward to your email to products@ettinger.de.

Subject to change and errors.