

Article datasheet

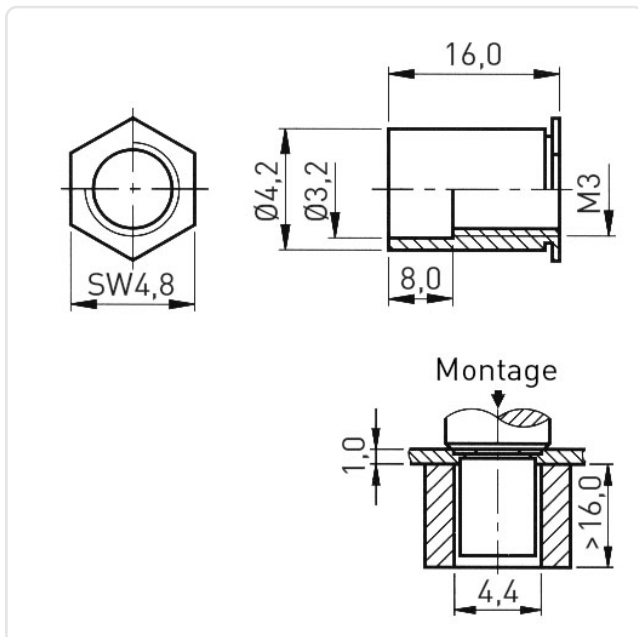
Swage Standoff M3x16.0 Galvanized Steel

Article-No.: 004.66.361



Image may be similar

AF / OD [mm]:	5
Area of Application:	For Metallic Materials
Finish:	Galvanized, Blue, 5 µm, A2K
Length [mm]:	16
Material:	Case-Hardened Steel
Material Group:	Steel
Minimum Edge Distance [mm]:	6.0
Outer Diameter [mm]:	4.2
Panel Hole Ø [mm]:	4.2
Panel Thickness [mm]:	1
Thread Size:	M3
Weight:	0.76g
Conformities:	



You can find all information on the web on our article detail page

[Swage Standoff M3x16.0 Galvanized Steel](#)

Would you like individual advice?

We look forward to your email to products@ettinger.de.

Subject to change and errors.