

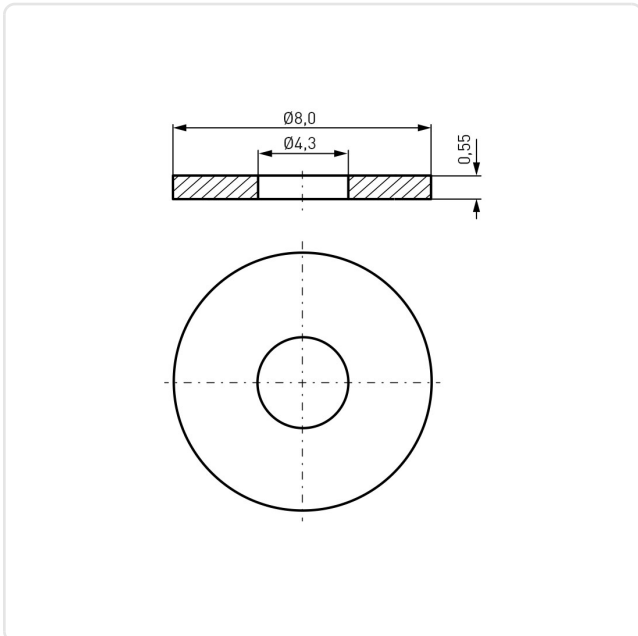
Article datasheet




Flat Washer DIN433/ISO7092 Ø4.3/8.0 x 0.5 Galvanized Steel

Article-No.: 003.01.041



Image may be similar



DIN/ISO:	ISO7092
Finish:	Galvanized, Blue, 5 µm, A2K
For Thread Size:	M4
Height [mm]:	0.5
Inner Diameter [mm]:	4.3
Material:	Steel lead-free
Material Group:	Steel
Outer Diameter [mm]:	8
Weight:	0.12g
Conformities:	  



You can find all information on the web on our article detail page

[Flat Washer DIN433/ISO7092 Ø4.3/8.0 x 0.5 Galvanized Steel](#)

Would you like individual advice?

We look forward to your email to products@ettinger.de.

Subject to change and errors.