

Article datasheet

## Turning Knob with alu cap

Article-No.: 054.18.261

Manufacturer: OKW Gehäusesysteme

Manufacturer article-no.: A1418261

**OKW**  
GEHÄUSE  
SYSTEME



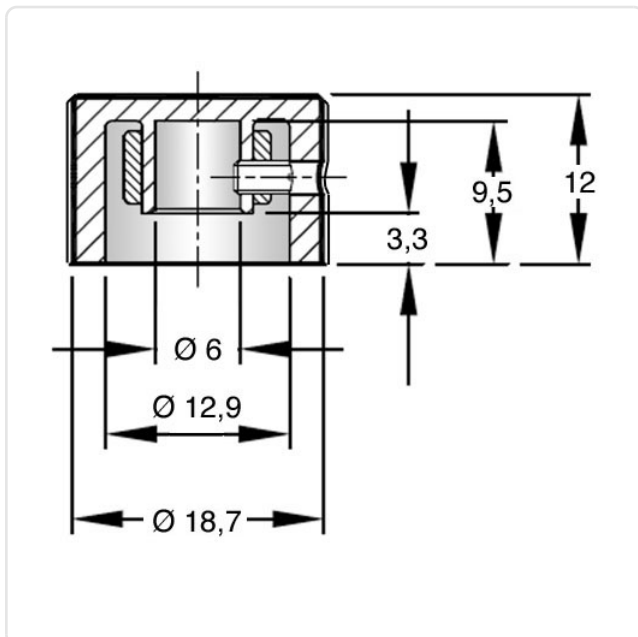
Image may be similar

Height [mm]: 12  
 Inner Diameter [mm]: 6  
 Marking: Line  
 Material: Aluminum ENAW-5754 / AlMg3, lead-free  
 Material Group: Aluminum  
 Model: Knurled Knob  
 Outer Diameter [mm]: 19  
 Weight: 5.39g  
 Conformities:



You can find all information on the web on our article detail page

[Turning Knob with alu cap](#)



Would you like individual advice?

We look forward to your email to [products@ettinger.de](mailto:products@ettinger.de).

Subject to change and errors.