

Article datasheet

**Push-In Foot Ø14.0x8.5 NBR black**

Article-No.: 017.53.140

Manufacturer: SES-Sterling

Manufacturer article-no.: 0254 0013 010



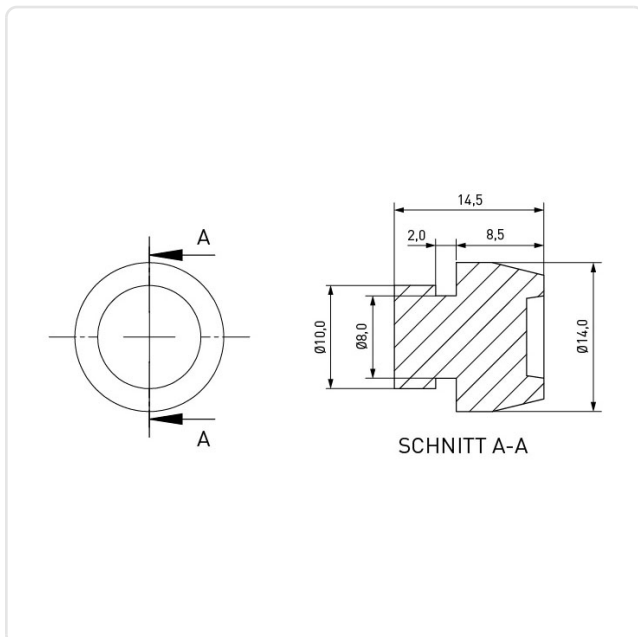
Image may be similar

Color: Black  
 Diameter [mm]: 14  
 Height [mm]: 8.5  
 Material: NBR - Nitrile Butadiene Rubber  
 Material Group: Plastic  
 Panel Hole Ø [mm]: 7  
 Panel Thickness [mm]: 2  
 Weight: 2.04g  
 Conformities:



You can find all information on the web on our article detail page

[Push-In Foot Ø14.0x8.5 NBR black](#)



Would you like individual advice?

We look forward to your email to [products@ettinger.de](mailto:products@ettinger.de).

Subject to change and errors.