

Article datasheet

Locking and Sealing Washer $\text{\O}6.2/10.0 \times 3.5$ Polyamide 6 natural

Article-No.: 003.07.466

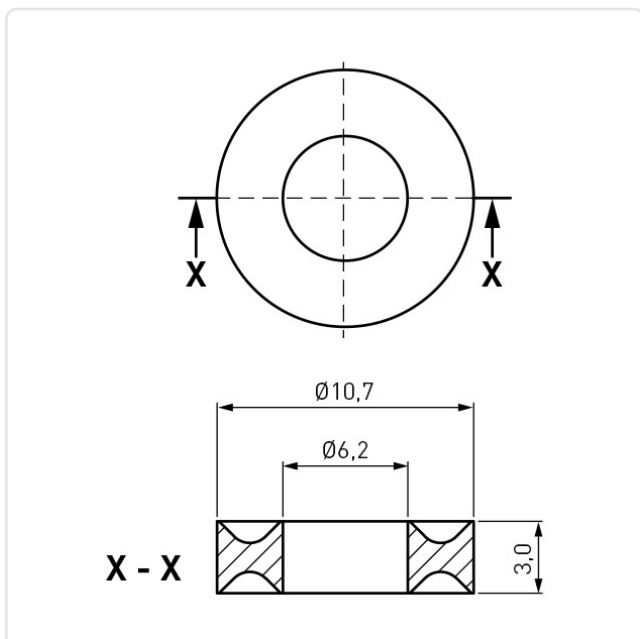


Image may be similar

For Thread Size: M6
 Height [mm]: 3.5
 Inner Diameter [mm]: 6.2
 Material: PA 6.0
 Material Group: Plastic
 Outer Diameter [mm]: 10
 Weight: 0.15g
 Conformities:



You can find all information on the web on our article detail page
[Locking and Sealing Washer \$\text{\O}6.2/10.0 \times 3.5\$ Polyamide 6 natural](#)



Would you like individual advice?

We look forward to your email to products@ettinger.de.

Subject to change and errors.