

Article datasheet

Knurled Thumb Screw M6x25 Polyamide 6.6 natural Vertical Knurl

Article-No.: 001.49.4270



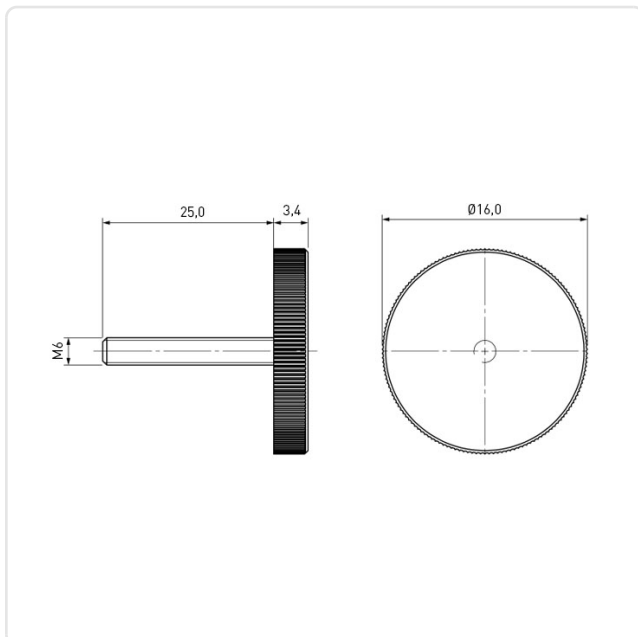
Image may be similar

Color:	Natural
Head Diameter [mm]:	16
Head Height [mm]:	3.4
Head Shape:	Cheese Head
Knurling:	Vertical Knurl
Length [mm]:	25
Material:	PA 6.6
Material Group:	Plastic
Thread Size:	M6
Weight:	1.286g
Conformities:	<div style="display: flex; align-items: center; gap: 10px;"> <div style="border: 1px solid black; padding: 2px; text-align: center;"> Reach COMPLIANT </div> <div style="border: 1px solid black; padding: 2px; text-align: center;"> RoHS NOT COMPLIANT </div> <div style="border: 1px solid black; padding: 2px; text-align: center;"> SVHC NOT COMPLIANT </div> </div>



You can find all information on the web on our article detail page

[Knurled Thumb Screw M6x25 Polyamide 6.6 natural Vertical Knurl](#)



Would you like individual advice?

We look forward to your email to products@ettinger.de.

Subject to change and errors.