

Article datasheet

## Power-Element M5 - 4 pins Brass tinned

Article-No.: 013.41.754



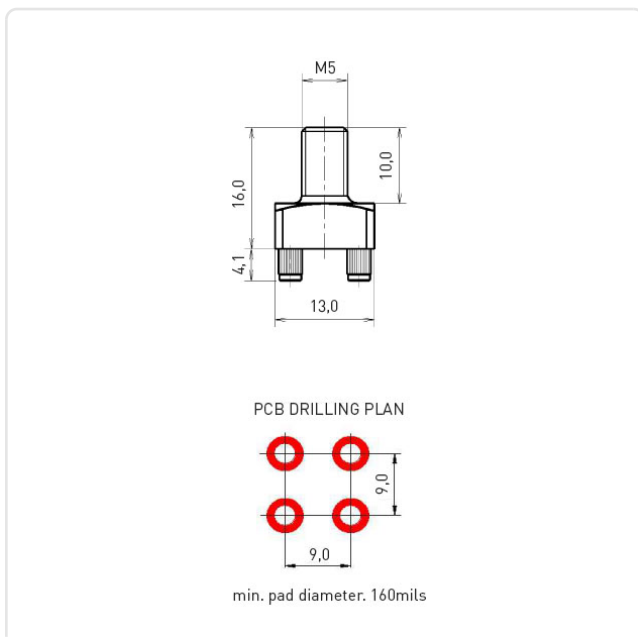
Image may be similar

Finish: Tin-Plated  
 Grid [mm]: 9.0  
 Material: Brass CW614N / CuZn39Pb3  
 Material Group: Brass  
 Thread Size: M5  
 Weight: 9.35g  
 Conformities:



You can find all information on the web on our article detail page

[Power-Element M5 - 4 pins Brass tinned](#)



Would you like individual advice?

We look forward to your email to [products@ettinger.de](mailto:products@ettinger.de).

Subject to change and errors.