

Article datasheet

Bushing 25.4/20.2mm Polyamide 6.6 black UL94-V2

Article-No.: 014.03.202



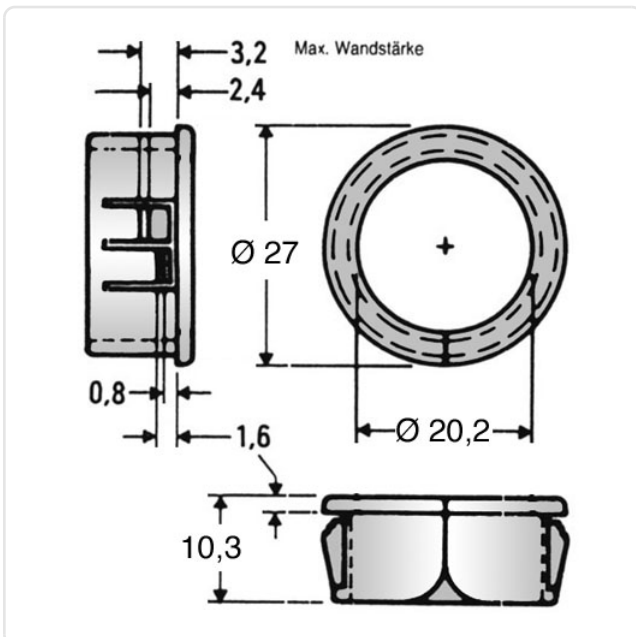
Image may be similar

Color:	Black
Inner Diameter [mm]:	20.2
Material:	PA 6.6
Material Group:	Plastic
Max. Panel Thickness [mm]:	3.2
Mounting Hole [mm]:	25.5
Outer Diameter [mm]:	27
Weight:	1.33g
Conformities:	



You can find all information on the web on our article detail page

[Bushing 25.4/20.2mm Polyamide 6.6 black UL94-V2](#)



Would you like individual advice?

We look forward to your email to products@ettinger.de.

Subject to change and errors.