

Article datasheet

Hole Grommet 4.0/7.0-1.5mm PVC schwarz

Article-No.: 014.60.242

Manufacturer: SES-Sterling

Manufacturer article-no.: 0132 0011 010

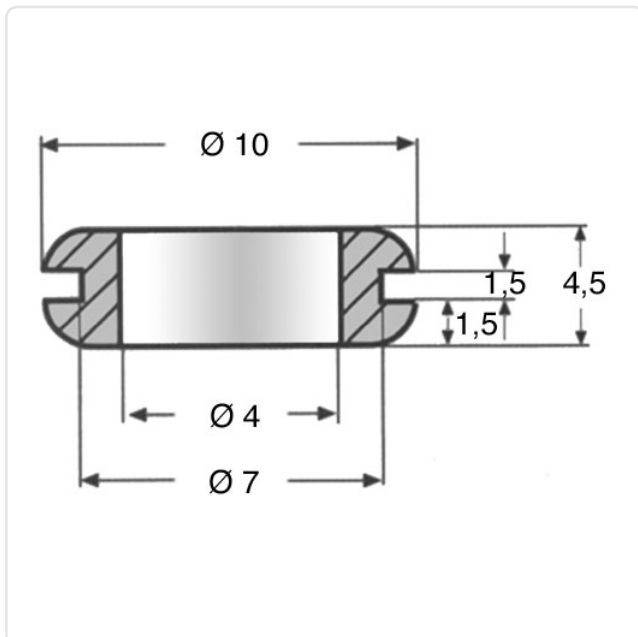


Image may be similar

Color: Black
 Inner Diameter [mm]: 4
 Material: PVC - Polyvinyl Chloride
 Material Group: Kunststoff
 Max. Panel Thickness [mm]: 1.5
 Mounting Hole [mm]: 7
 Weight: 0.3g
 Conformities:



You can find all information on the web on our article detail page
[Hole Grommet 4.0/7.0-1.5mm PVC schwarz](#)



Would you like individual advice?

We look forward to your email to products@ettinger.de.

Subject to change and errors.