

Article datasheet

Button Head Screw ISO7380-1 M5x20 Steel 10.9 Zinc Plated Hexagon

Article-No.: 001.54.571

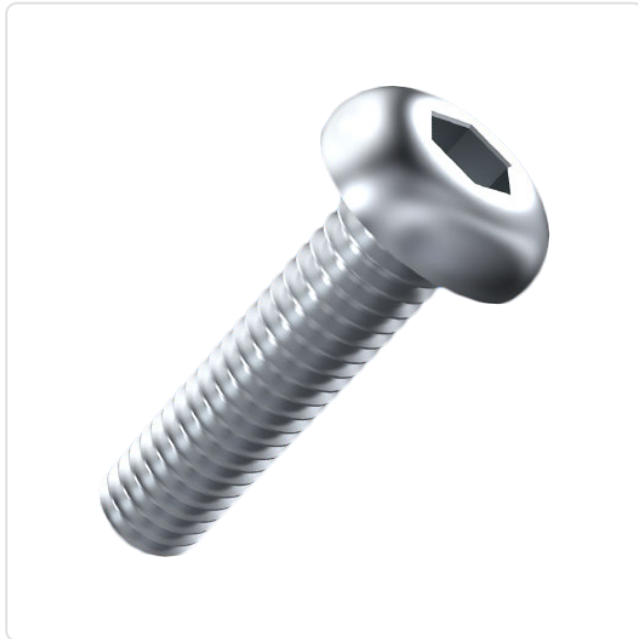
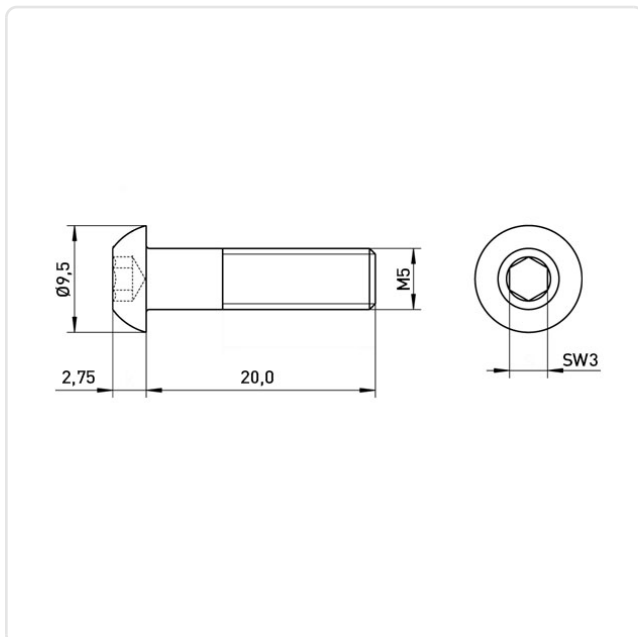


Image may be similar

Actuator Size:	Hexagon Socket Hex3
DIN/ISO:	ISO7380-1
Drive Type:	Hexagon Socket
Finish:	Galvanized, Blue, 5 µm, A2K
Head Diameter [mm]:	9.5
Head Height [mm]:	2.75
Head Shape:	Button Head
Length [mm]:	20
Material:	Steel 10.9
Material Group:	Stahl
Thread Size:	M5
Weight:	3.2g
Conformities:	



You can find all information on the web on our article detail page

[Button Head Screw ISO7380-1 M5x20 Steel 10.9 Zinc Plated Hexagon](#)

Would you like individual advice?

We look forward to your email to products@ettinger.de.

Subject to change and errors.