

Article datasheet

Hexagon Serrated Flange Nut M6 DIN6923/ISO4161 Galvanized Steel 8.8

Article-No.: 002.09.336

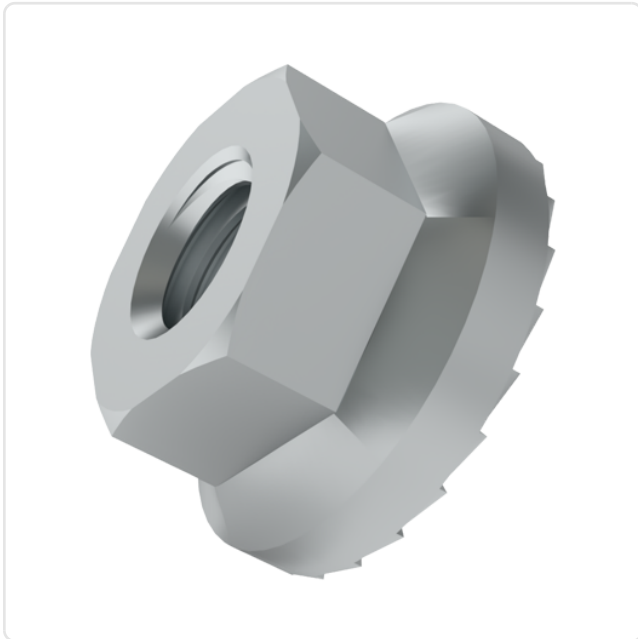


Image may be similar

AF / OD [mm]: 10
DIN/ISO: DIN6923 / ISO4161
Finish: Galvanized, Blue, 5 µm, A2K
Height [mm]: 6
Material: Steel 8.8
Material Group: Stahl
Thread Size: M6
Weight: 3.01g
Conformities:



You can find all
information on the web on
our article detail page

Would you like individual advice?

We look forward to your email to products@ettinger.de.

Subject to change and errors.

