

Article datasheet

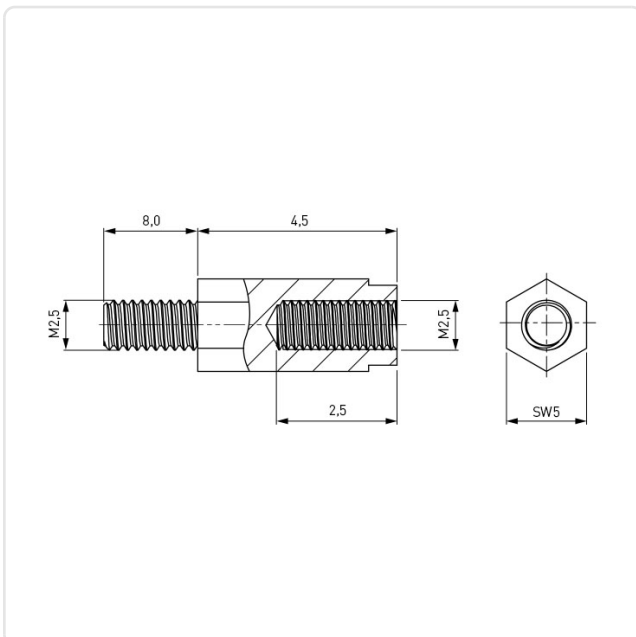
Standoff Polyamide 6.6 Black M/F AF5x4.5 F=M2.5x2.5 M=M2.5x8 w/o Undercut

Article-No.: 005.42.045



Image may be similar

| | |
|----------------------------|-----------|
| AF / OD [mm]: | 5 |
| Color: | Black |
| Female Thread Length [mm]: | 2.5 |
| Female Thread Size: | M2.5 |
| Flammability Class: | UL94-HB |
| Length [mm]: | 4.5 |
| Male Thread Length [mm]: | 8 |
| Male Thread Size: | M2.5 |
| Material: | PA 6.6 |
| Material Group: | Plastic |
| Profile: | Hexagonal |
| Undercut: | No |
| Weight: | 0.13g |
| Conformities: | |



You can find all information on the web on our article detail page

[Standoff Polyamide 6.6 Black M/F AF5x4.5 F=M2.5x2.5 M=M2.5x8 w/o Undercut](#)

Would you like individual advice?

We look forward to your email to products@ettinger.de.

Subject to change and errors.