

Article datasheet

Solder Terminal Pin $\varnothing 1.0 \times 13.0$ mm Brass tinned with round press-in shaft

Article-No.: 013.14.135



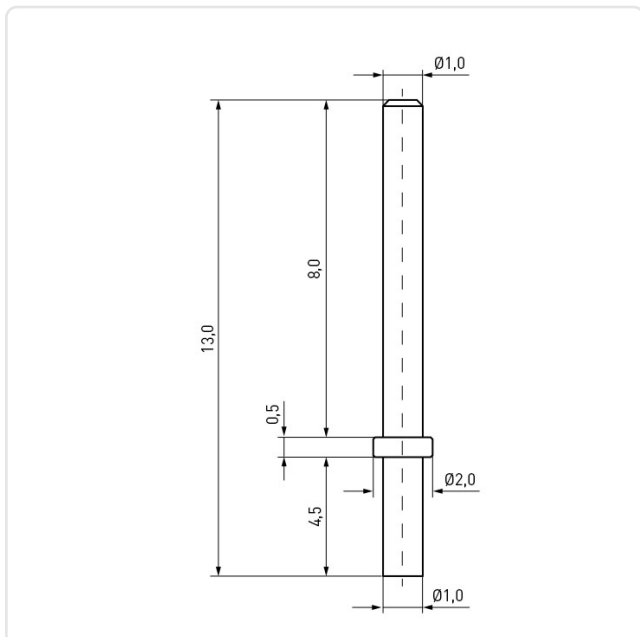
Image may be similar

Diameter [mm]:	1
Finish:	Tin-Plated
Length [mm]:	13
Material:	Brass
Material Group:	Brass
PCB Hole \varnothing [mm]:	1
Plug-In Length [mm]:	8
Weight:	0.1g
Conformities:	



You can find all information on the web on our article detail page

[Solder Terminal Pin \$\varnothing 1.0 \times 13.0\$ mm Brass tinned with round press-in shaft](#)



Would you like individual advice?

We look forward to your email to products@ettinger.de.

Subject to change and errors.