

Article datasheet

PCB Support 15.9 | \varnothing 4.0 | \varnothing 4.8 Polyamide 6.6 natural

Article-No.: 006.02.157



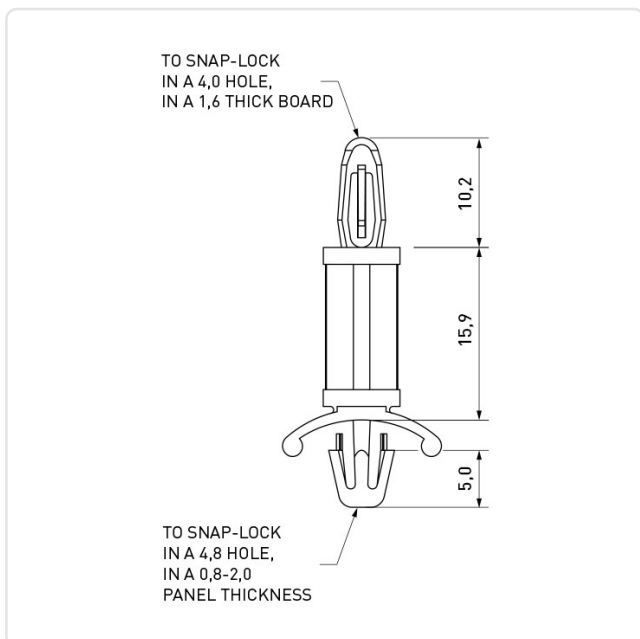
Image may be similar

Color: Natural
 Flammability Class: UL94-V0
 Length [mm]: 15.9
 Material: PA 6.6
 Material Group: Plastic
 PCB Hole \varnothing [mm]: 4
 PCB Thickness [mm]: 1.6
 Panel Hole \varnothing [mm]: 4.8
 Panel Thickness [mm]: 0.8-2.0
 Weight: 0.5g
 Conformities:



You can find all information on the web on our article detail page

[PCB Support 15.9 | \$\varnothing\$ 4.0 | \$\varnothing\$ 4.8 Polyamide 6.6 natural](#)



Would you like individual advice?

We look forward to your email to products@ettinger.de.

Subject to change and errors.