

Article datasheet

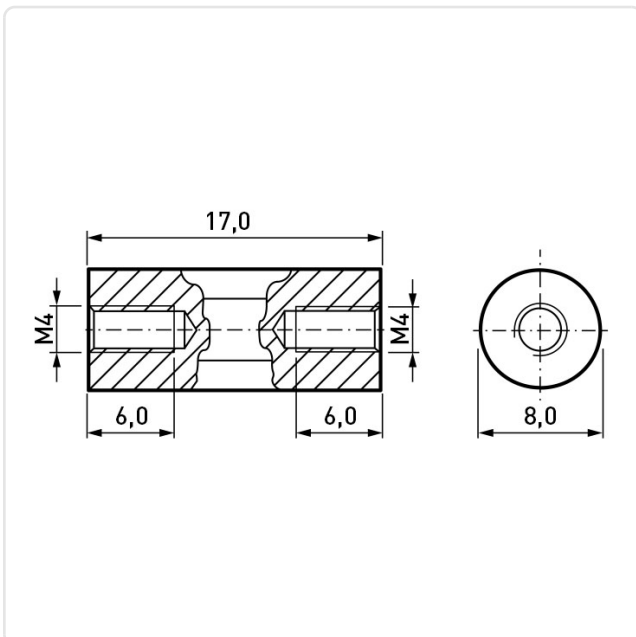
Insulated Standoff PA-Brass F/F ø8x17 | Thread M4x6 / M4x6

Article-No.: 005.48.417



Image may be similar

AF / OD [mm]: 8
 Flammability Class: UL94-HB
 Length [mm]: 17
 Material: PA 6.6
 Material Group: Plastic
 Profile: Round
 Thread 1 Length [mm]: 6
 Thread 1 Size: M4
 Thread 2 Length [mm]: 6
 Thread 2 Size: M4
 Thread Insert Material: Brass
 Weight: 1.77g
 Conformities:



You can find all information on the web on our article detail page

[Insulated Standoff PA-Brass F/F ø8x17 | Thread M4x6 / M4x6](#)

Would you like individual advice?

We look forward to your email to products@ettinger.de.

Subject to change and errors.