

Article datasheet

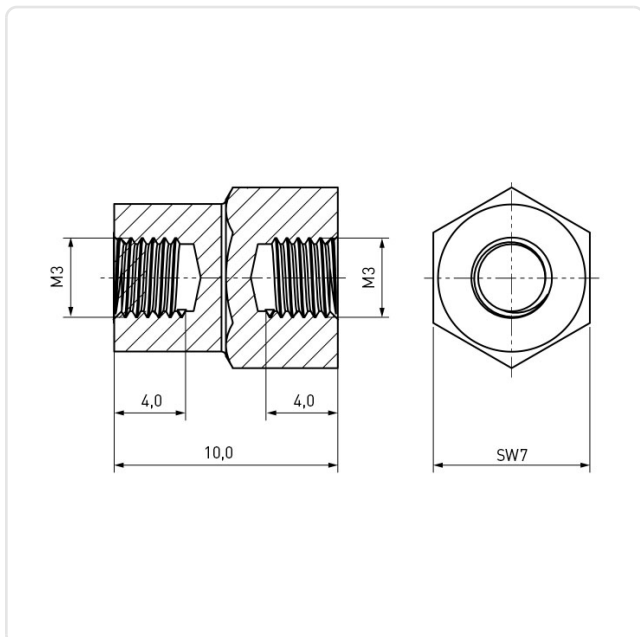
Insulated Standoff PA-Brass F/F AF7x10 | Thread M3x4 / M3x4

Article-No.: 005.41.837



Image may be similar

AF / OD [mm]: 7
 Flammability Class: UL94-HB
 Length [mm]: 10
 Material: PA 6.0
 Material Group: Plastic
 Profile: Hexagonal
 Thread 1 Length [mm]: 4
 Thread 1 Size: M3
 Thread 2 Length [mm]: 4
 Thread 2 Size: M3
 Thread Insert Material: Brass
 Weight: 0.74g
 Conformities:



You can find all information on the web on our article detail page

[Insulated Standoff PA-Brass F/F AF7x10 | Thread M3x4 / M3x4](#)

Would you like individual advice?

We look forward to your email to products@ettinger.de.

Subject to change and errors.