

Article datasheet

Contact Washer $\varnothing 6.1/12.2 \times 1.2$ Galvanized Steel

Article-No.: 003.20.061

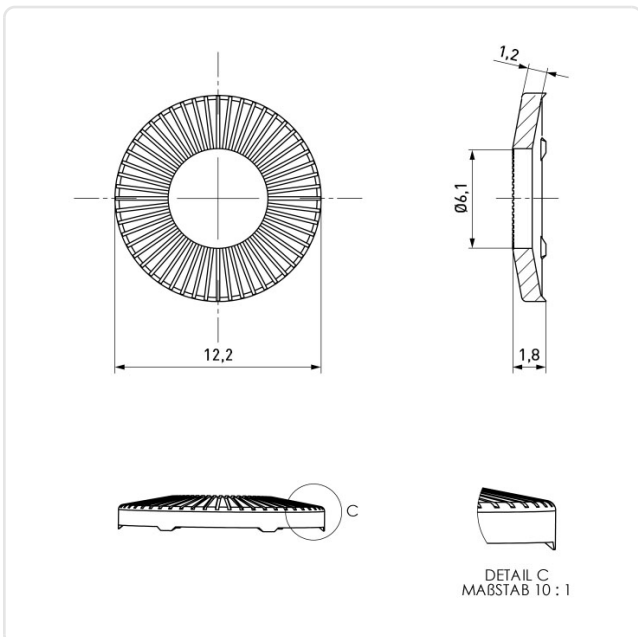


Image may be similar

Finish: Galvanized, 15–25 μm
 For Thread Size: M6
 Height [mm]: 1.2
 Inner Diameter [mm]: 6.1
 Material: Spring Steel, lead-free
 Outer Diameter [mm]: 12.2
 Weight: 0.74g
 Conformities:



You can find all information on the web on our article detail page
[Contact Washer \$\varnothing 6.1/12.2 \times 1.2\$ Galvanized Steel](#)



Would you like individual advice?

We look forward to your email to products@ettinger.de.

Subject to change and errors.