

Article datasheet

Solder Eyelet DIN 46215 \varnothing 6.4/14,0mm Brass silver-plated 0.8mm thick

Article-No.: 019.05.469



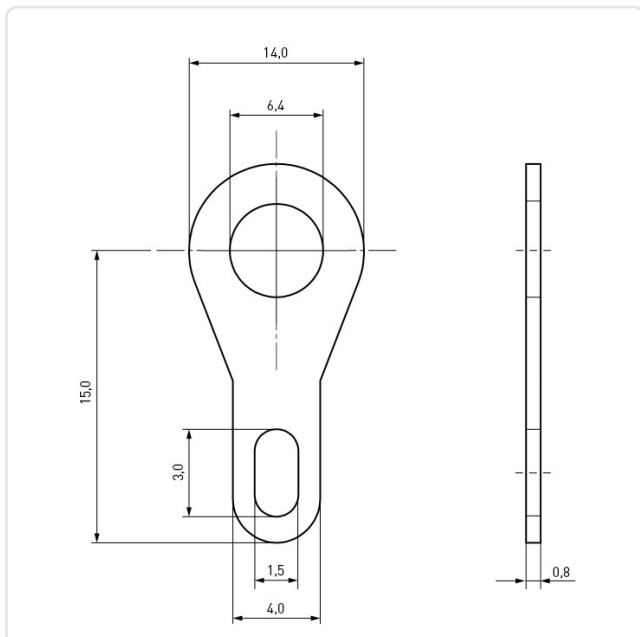
Image may be similar

DIN/ISO:	DIN46215
Finish:	Silver-Plated
Inner Diameter [mm]:	6.4
Length [mm]:	15
Material:	Brass CW508L / CuZn37, lead-free
Material Group:	Brass
Outer Diameter [mm]:	14
Weight:	1g
Conformities:	



You can find all information on the web on our article detail page

[Solder Eyelet DIN 46215 \$\varnothing\$ 6.4/14,0mm Brass silver-plated 0.8mm thick](#)



Would you like individual advice?

We look forward to your email to products@ettinger.de.

Subject to change and errors.