

Article datasheet

Flat Washer $\text{\O}3.1/5.0 \times 2.0$ POM natural

Article-No.: 003.10.032

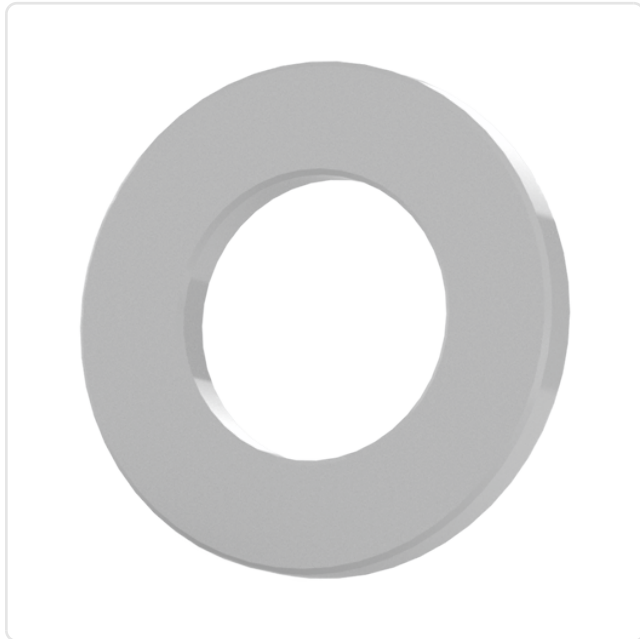


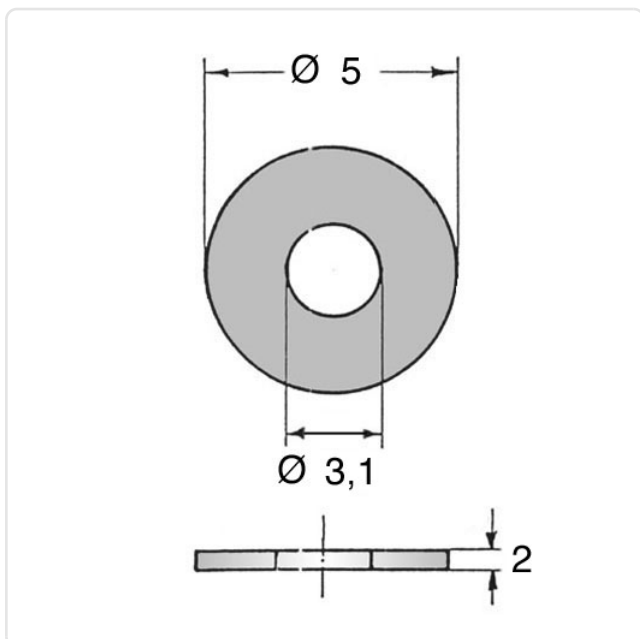
Image may be similar

Color: Natural
 For Thread Size: M3
 Height [mm]: 2
 Inner Diameter [mm]: 3.1
 Material: POM - Polyoxymethylene
 Material Group: Plastic
 Outer Diameter [mm]: 5
 Weight: 0.03g
 Conformities:



You can find all information on the web on our article detail page

[Flat Washer \$\text{\O}3.1/5.0 \times 2.0\$ POM natural](#)



Would you like individual advice?

We look forward to your email to products@ettinger.de.

Subject to change and errors.