

Article datasheet

PCB Support 6.4 | $\varnothing 4.0$ | $\varnothing 4.0$ Polyamide 6.6 natural

Article-No.: 006.03.116



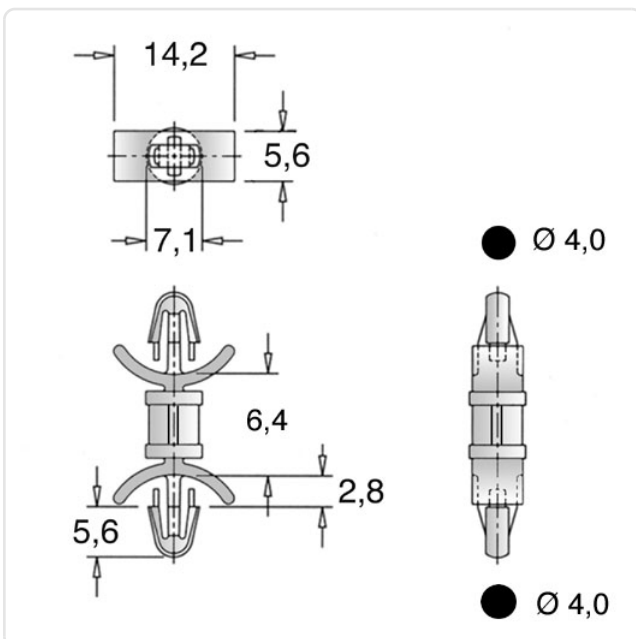
Image may be similar

Color:	Natural
Flammability Class:	UL94-V2
Length [mm]:	6.4
Material:	PA 6.6
Material Group:	Plastic
PCB Hole \varnothing [mm]:	4
PCB Thickness [mm]:	0,8-2,0
Panel Hole \varnothing [mm]:	4
Panel Thickness [mm]:	0,8-2,0
Weight:	0.46g
Conformities:	



You can find all information on the web on our article detail page

[PCB Support 6.4 | \$\varnothing 4.0\$ | \$\varnothing 4.0\$ Polyamide 6.6 natural](#)



Would you like individual advice?

We look forward to your email to products@ettinger.de.

Subject to change and errors.