

Article datasheet

## Locking Wire Saddle Hole 11.1x18.0mm Polyamid 6.6 natural UL94-V2 E70062

Article-No.: 072.78.236

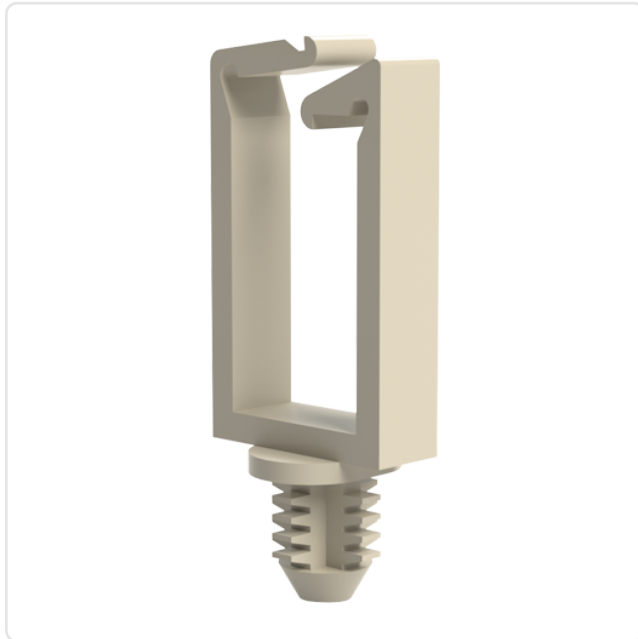


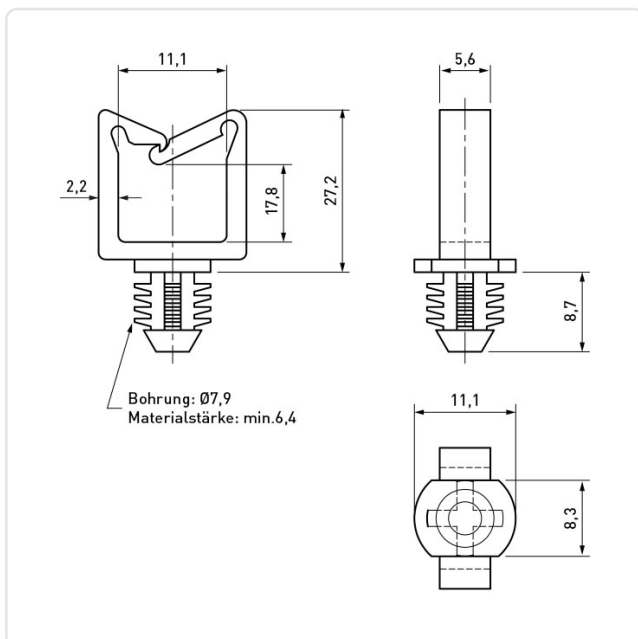
Image may be similar

Bundle Diameter [mm]: 10,0-25,0  
 Color: Natural  
 Height [mm]: 27.2  
 Material: PA 6.6  
 Material Group: Plastic  
 Model: Fir Tree Base  
 Mounting Hole [mm]: 7.9  
 Panel Thickness [mm]: verriegeln  
 Width [mm]: 15.5  
 Weight: 1.21g  
 Conformities:



You can find all information on the web on our article detail page

[Locking Wire Saddle Hole 11.1x18.0mm Polyamid 6.6 natural UL94-V2 E70062](#)



Would you like individual advice?

We look forward to your email to [products@ettinger.de](mailto:products@ettinger.de).

Subject to change and errors.