

Article datasheet

## Knurled Thumb Screw M6x20 Polyamide 6.6 natural Vertical Knurl

Article-No.: 001.49.4200



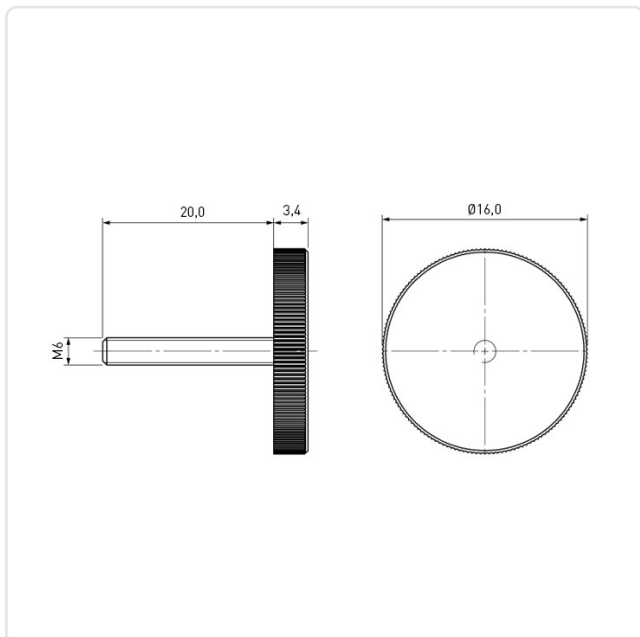
Image may be similar

|                     |   |
|---------------------|---|
| Color:              | Natural   |
| Head Diameter [mm]: | 16  |
| Head Height [mm]:   | 3.4   |
| Head Shape:         | Cheese Head   |
| Knurling:           | Vertical Knurl  |
| Length [mm]:        | 20  |
| Material:           | PA 6.6  |
| Material Group:     | Plastic   |
| Thread Size:        | M6  |
| Weight:             | 1.17g   |
| Conformities:       | <div style="display: flex; align-items: center; gap: 10px;"> <div style="border: 1px solid green; padding: 2px; font-size: 8px;">Reach<br/>COMPLIANT</div> <div style="border: 1px solid red; padding: 2px; font-size: 8px;">RoHS<br/>NOT COMPLIANT</div> <div style="border: 1px solid red; padding: 2px; font-size: 8px;">SVHC<br/>NOT COMPLIANT</div> </div> |



You can find all information on the web on our article detail page

[Knurled Thumb Screw M6x20 Polyamide 6.6 natural Vertical Knurl](#)



Would you like individual advice?

We look forward to your email to [products@ettinger.de](mailto:products@ettinger.de).

Subject to change and errors.