

Article datasheet

PC Automotive Blade Fuse Clip/30A Brass,tin-nickel plate/SMT mounting

Article-No.: 015.06.205

Manufacturer: Keystone Electronics

Manufacturer article-no.: 3586



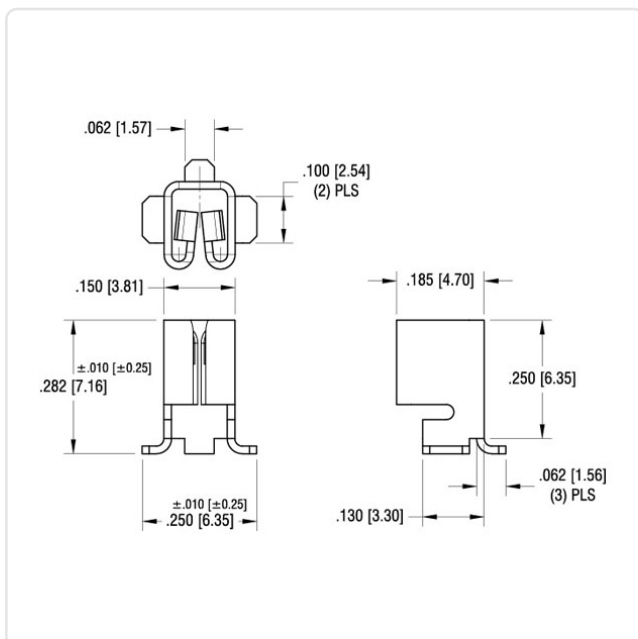
Image may be similar

Amperage [A]: 30
 Fuse Size [mm]: 5.2x0.64
 Material: Brass
 Material Group: Brass
 Model: Clip Holder
 Weight: 0.35g
 Conformities:



You can find all information on the web on our article detail page

[PC Automotive Blade Fuse Clip/30A Brass,tin-nickel plate/SMT mounting](#)



Would you like individual advice?

We look forward to your email to products@ettinger.de.

Subject to change and errors.