

Article datasheet

Solder Side Covers for 3-U - 160 mm

Article-No.: 074.10.652

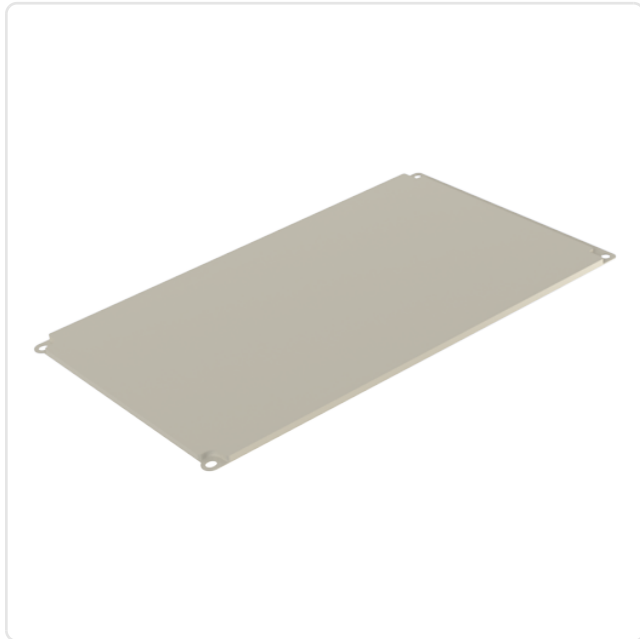
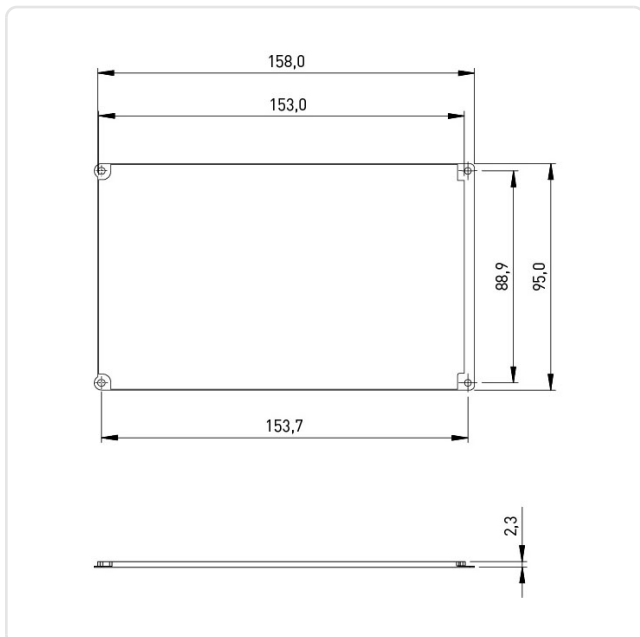


Image may be similar



Color: White
Flammability Class: UL94-V0
Length [mm]: 160
Material: PVC - Polyvinyl Chloride
Material Group: Plastic
Model: Circuit Board Cover
Width [mm]: 97.3
Weight: 21.63g
Conformities:



You can find all information on the web on our article detail page

[Solder Side Covers for 3-U - 160 mm](#)

Would you like individual advice?

We look forward to your email to products@ettinger.de.

Subject to change and errors.