

Article datasheet

## Wire Saddle 12.7x9.5mm/ø4mm/1-4.1mm Polyamide 6.6 UL94-V2 E70062

Article-No.: 072.78.016



Image may be similar

Bundle Diameter [mm]: 5,0-10,0

Color: Natural

Height [mm]: 9.5

Material: PA 6.6

Material Group: Plastic

Model: Fir Tree Base

Mounting Hole [mm]: 4

Width [mm]: 12.7

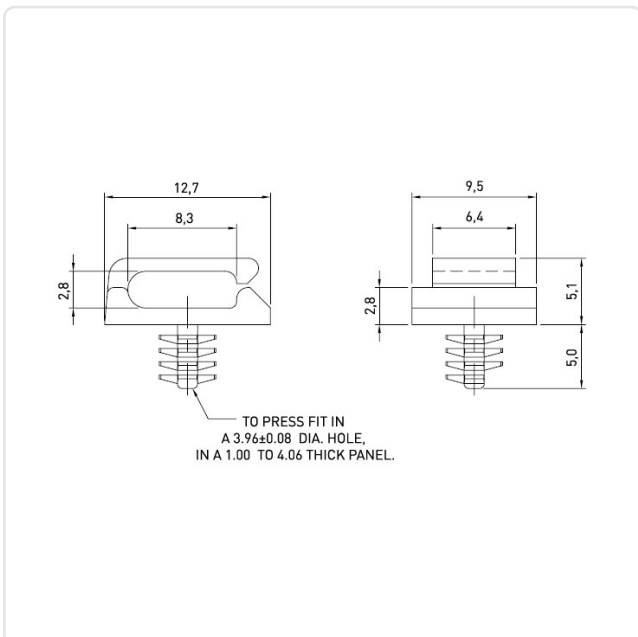
Weight: 0.37g

Conformities:



You can find all information on the web on our article detail page

[Wire Saddle 12.7x9.5mm/ø4mm/1-4.1mm Polyamide 6.6 UL94-V2 E70062](#)



Would you like individual advice?

We look forward to your email to [products@ettinger.de](mailto:products@ettinger.de).

Subject to change and errors.