

Article datasheet

Hexagon Nut DIN934/ISO4032 M3 A2 Plain Stainless Steel

Article-No.: 002.10.039

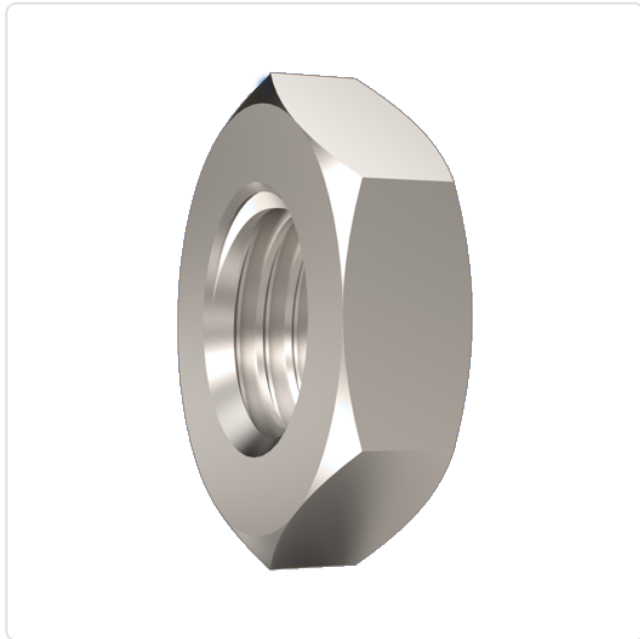
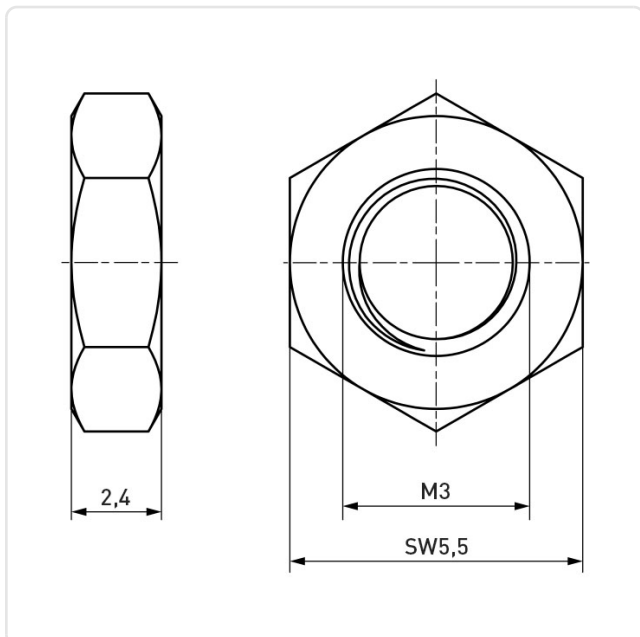


Image may be similar

AF / OD [mm]: 5.5
DIN/ISO: ISO4032
Finish: Plain
Height [mm]: 2.4
Material: Stainless Steel AISI 304 / A2
Material Group: Stahl rostfrei
Thread Size: M3
Weight: 0.32g
Conformities:



You can find all information on the web on our article detail page



Would you like individual advice?

We look forward to your email to products@ettinger.de.

Subject to change and errors.